



**STRAINERS
CHECK VALVES
PUMP ACCESSORIES
FLOAT & LEVER VALVES
CONTROL VALVES**

PRICE LIST 08

Dated: July 15, 2008

Rev. A.09 – September 01, 2009

(See Bookmarks for changes)

**ORDER STRAINERS
BY ITEM NUMBER
SHOWN ABOVE PRICE**

SINCE 1914. NO QUESTION

WE HAVE THE ANSWERS.

FOR PHONE ORDERS

800-532-5539

24-HOUR FAX ORDERS

847-674-2106

WEB SITE: WWW.KECKLEY.COM

TERMS: Net 30 Days, F.O.B. Skokie, Illinois
Minimum Charge \$35 (NET)

E-MAIL: SALES@KECKLEY.COM

Prices Subject to Change Without Notice

TABLE OF CONTENTS

“Y” AND BASKET STRAINERS	Page	DUPLEX STRAINERS	Page
“Y” Strainers – Iron Body		Basket Strainers – Ductile Iron Body/Stainless Steel Diverter	
Style B 250# Threaded ¼” – 4”	3	Style DPXS 125# Threaded ¾” – 2 ½”	15
Style A 125# ANSI Standard Flange 2” – 20”	3	Style DPXF 125# ANSI Flange 1” and Larger	15
Style A 250# ANSI Extra Heavy Flange 2” – 18”	3	Basket Strainers – Nickel Aluminum Bronze Body/ Nickel Aluminum Bronze diverter	
Style BDI 300# Threaded – Ductile Iron ½” – 2”	3	Style BDPXS 150# Threaded ¾” – 2 ½”	15
“Y” Strainers – Bronze Body		Style BDPXF 150# ANSI Flange 1” and Larger	15
Style F-150 125# Threaded ¼” – 3”	4	Basket Strainers – Carbon Steel Body/Stainless Steel Diverter	
Style E-150 125# Solder Joint ¼” – 3”	4	Style SDPXS 150# Threaded ¾” – 2 ½”	16
Style F-300 250# Threaded ¼” – 3”	4	Style SDPXF 150# ANSI Flange 1” and Larger	16
Style E-300 250# Solder Joint ¼” – 3”	4	Basket Strainers – Stainless Steel Body/ Stainless Steel diverter	
Style BA-7 150# ANSI ½” – 12”	5	Style SSDPXS 150# Threaded ¾” – 2 ½”	16
Style BA-7 300# ANSI ½” – 12”	5	Style SSDPXF 150# ANSI Flange 1” and Larger	16
Style BA 150# ANSI 2” – 6”	5	Temporary Strainers – Cone, Basket, Plate	
Style BA 300# ANSI Flange 2” – 6”	5	Style TC Cone Carbon Steel 1 ½” – 24”	17
“Y” Strainers – Carbon Steel Body		Style TC Cone Stainless Steel 1 ½” – 24”	17
Style SB-7 600# Threaded ¼” – 3”	6	Style TB Basket Carbon Steel 1 ½” – 24”	17
Style SB-7 600# Socket Weld ¼” – 3”	6	Style TB Basket Stainless Steel 1 ½” – 24”	17
Style SB 1500# Threaded ½” – 3”	6	Style TP Plate Carbon Steel 1 ½” – 24”	17
Style SB 1500# Socket Weld ½” – 3”	6	Style TP Plate Stainless Steel 1 ½” – 24”	17
Style SA-7 150# ANSI Flange ½” – 24”	7	Fabricated Strainers – “Y”, Tee, Basket Carbon Steel, Stainless Steel Body	
Style SA-7 300# ANSI Flange ½” – 24”	7	Price on Application	18
Style SA-7 300# Butt Weld ½” – 24”	7	Replacement Screens	
Style SA 600# ANSI Flange ½” – 24”	7	“Y” Strainers	19
Style SA 600# Butt Weld ½” – 24”	7	Basket Strainers (Simplex)	20
“Y” Strainers – 316 Stainless Steel Body		Basket Strainers (Duplex)	21
Style SSB-7 600# Threaded ¼” – 3”	8	Differential Pressure Indicators	21
Style SSB-7 600# Socket Weld ¼” – 3”	8	Differential Pressure Indicator with electrical switch	21
Style SSB 1500# Threaded ½” – 3”	8	Cover Gaskets, O-Ring Seals	
Style SSB 1500# Socket Weld ½” – 3”	8	“Y” Strainers	20
Style SSA-7 150# ANSI Flange ½” – 24”	9	Basket Strainers (Simplex)	20
Style SSA-7 300# ANSI Flange ½” – 24”	9	Basket Strainers (Duplex)	21
Style SSA-7 300# Butt Weld ½” – 24”	9	Plugs, Pipe For Blow-Off Hole	
Style SSA 600# ANSI Flange ½” – 24”	9	Iron, “Y” Strainers	18
Basket Strainers – Iron Body (Simplex)		Bronze, “Y” Strainers	18
Style D 250# Threaded ½” – 2”	10	Galvanized Strainer Bodies	18
Style D 125# ANSI Standard Flange 2” – 18”	10	Gas Service Strainers, Style GA	18
Style D 250# ANSI Extra Heavy Flange 2” – 18”	10	Military/Government Strainers	18
Style DV 250# ANSI Extra Heavy Flange 2” – 18”	11	Magnet Inserts	18
Style GFV 125# ANSI Standard Flange 2” – 24”	11	Reinforcing Bands	18
Style GFV 250# ANSI Extra Heavy Flange 2” – 24”	11	Special Screens	18
Style HLC 125# ANSI Standard Flange 2” – 16”	11	QUOTATION FORM – REPLACEMENT SCREENS	22
Style KF-7 150# ANSI Standard Flange 1½” – 12”	11		
Basket Strainers – Bronze Body (Simplex)			
Style BD 150# ANSI Flange 2” – 12”	12		
Style BD 300# ANSI Flange 2” – 12”	12		
Style BKF-7 150# ANSI Flange 1½” – 12”	12		
Basket Strainers – Carbon Steel Body (Simplex)			
Style SD 300# Threaded ¼” – 3”	13		
Style SD-K 150# Threaded 1½” – 3”	13		
Style SGFV 150# ANSI Flange 1½” – 24”	13		
Style SGFV-K 150# ANSI Flange 1½” – 12”	13		
Style SGFV 300# ANSI Flange 1½” – 24”	13		
Basket Strainers – 316 Stainless Steel Body (Simplex)			
Style SSD 300# Threaded ¼” – 3”	14		
Style SSD-K 150# Threaded ¼” – 3”	14		
Style SSGFV 150# ANSI Flange 1½” – 24”	14		
Style SSGFV-K 150# ANSI Flange 1½” – 12”	14		
Style SSGFV 300# ANSI Flange 1½” – 24”	14		

TABLE OF CONTENTS

CHECK VALVES	Page	CONTROL VALVES	Page
Wafer Double Disc		Pressure Regulators – Internal Pilot.....	31
Style DD 125# Cast Iron 2" – 24".....	23	Type AA and AR (Steam or Air).....	31
Style DD 150# Cast Carbon Steel 2" – 24".....	23	Type IA and IR (Steam or Air).....	31
Style DD 300# Cast Carbon Steel 2" – 24".....	23	Pressure Regulators – External Pilot	
Style DD 150# 316 Cast Stainless Steel 2" – 24".....	23	Type KP (Steam only).....	31
Style DD 300# 316 Cast Stainless Steel 2" – 24".....	23	Pressure Regulators	
Style DL 125# thru 1500# Sizes 2" – 16"		Type 700 (Liquid or Air).....	31
Cast Iron, Carbon Steel, & 316 Stainless Steel.....	Consult Factory	Type 701 (Water).....	31
Style DF 125# thru 1500# Sizes 10" – 28"		Pressure Reducing Valves	
Cast Iron, Carbon Steel, & 316 Stainless Steel.....	Consult Factory	Type 11-A.....	31
Wafer Silent Check		Type 10.....	31
Style CW 125# / 250# Cast Iron 2" – 12".....	24	Type D.....	31
Style CW 150# / 300# Cast Carbon Steel 2" – 12".....	24	Series A and W – Low Capacity.....	32
Style CW 150# / 300# 316 Cast Stainless Steel 2" – 12".....	24	Type 400.....	32
Globe Silent Check		Type 410 and 411.....	32
Style CG 125# Flanged Cast Iron 2" – 24".....	24	Type 430,431 and 432.....	32
Style CG 250# Flanged Cast Iron 2" – 12".....	24	Hydraulic Pressure Regulators	
Style CG 150# Flanged Cast Carbon Steel 2" – 18".....	25	Type H.....	32
Style CG 150# Flanged 316 Cast Stainless Steel 2" – 12".....	25	Diaphragm Control Valves – Double Seated	
PUMP ACCESSORIES	Page	Type 114 and 114R.....	33
Suction Diffuser – Iron Body		Type 116 and 116R.....	33
Style PSD 125# ANSI Standard Flange 2" x 1½" and Larger.....	26	Diaphragm Control Valves – Single Seated	
Triple Duty Valve – Iron Body		Type 119 and 119R.....	33
Style TDV 125# ANSI Standard Flange 2" – 16".....	26	Type 118 and 118R.....	33
FLOAT AND LEVER VALVES	Page	Motor Operated Balanced Valves	
Float Valves		Type 1300.....	33
Type 27 Double Seated ½" – 12".....	27	Solenoid Valves	
7 Single Seated ½" – 2".....	27	Type E.....	33
77 Single Seated 2" – 12".....	27	Type EA.....	33
777 Single Seated ½" – 4".....	28	Temperature and Pressure/Temperature Regulators	
427 Single Seated ½" – 2".....	28	Type T, T-R and T-T.....	34
428 Single Seated ½" – 2".....	28	Type AT.....	34
177 Single Seated 2" – 8".....	28	Pressure and Temperature Regulators	
(Pilot Controlled – External Pilot)		Type PTT.....	34
112 Pilot Valve.....	28	Type PTS.....	34
Lever Valves		Temperature Regulator Accessories.....	34
Type 62 Double Seated ½" – 12".....	29	Back Pressure Valves	
73 Single Seated ½" – 2".....	29	Type 135.....	35
773 Single Seated 2" – 12".....	29	Type 145.....	35
762 Single Seated ½" – 2".....	29	Type 405.....	35
462 Single Seated ½" – 2".....	29	Type 315.....	35
463 Single Seated ½" – 2".....	29	Safety Valves – A.S.M.E. Stamped	
Float Box – Float Mechanism		Bronze Safety Valves	
Type 20 Float Box.....	30	Type 40 and 41 (Steam or Air).....	36
20M Float Mechanism.....	30	Iron Safety Valves	
21 Float Box with Switch.....	30	Type 301 (Steam or Air).....	36
Parts: Floats and Float Rods.....	28	Others – Consult Factory	
		Drip Pan Elbows.....	36
		Relief Valves – Non Coded	
		Bronze Relief Valves	
		Type 42, 43 and 44 (Liquid).....	36
		Others – Consult Factory	
		TERMS AND CONDITIONS OF SALE.....	37

STRAINERS

'Y', BASKET, DUPLEX, TEMPORARY & FABRICATED

"Y" STRAINERS – IRON BODY

ORDER BY ITEM NUMBER SHOWN ABOVE PRICE

Style B 250# THREADED Cast Iron Body Y-Strainers

Working Pressure-Non-Shock; Steam 250 PSI - 406°F; Water, Oil, Gas 400 PSI - 150°F

(ASTM A 126, Class B)

Size	Steam	Liquid	1/4"	3/8"	1/2"	3/4"	1"	1 1/4"	1 1/2"	2"	2 1/2"	3"	4"
1/4"-2"	20 Mesh	304 SS	1101	1102	1103	1104	1105	1106	1107	1108			
			\$15.40	\$15.40	\$15.80	\$19.60	\$26.80	\$33.60	\$42.90	\$73.00			
Perforated 304 SS	3/64", 1/16", 1/8"		1109	1110	1111	1112	1113	1114	1115	1116	1117	1118	1203
			\$20.80	\$20.80	\$21.40	\$26.50	\$36.20	\$45.40	\$57.90	\$98.50	\$141.00	\$198.00	\$634.00
Mesh Lined 304 SS	20-30-40-50-60-80-100-150-200		1119	1120	1121	1122	1123	1124	1125	1126	1127	1128	1206
			\$24.60	\$24.60	\$25.30	\$31.40	\$42.90	\$53.80	\$68.60	\$116.80	\$186.00	\$245.00	\$760.00
Shipping Weight			2#	2#	2#	3#	4 1/2#	6#	8#	15 1/2#	25#	36#	95#

Style A 125# ANSI STANDARD FLANGED Cast Iron Body Y-Strainer

Working Pressure-Non-Shock; Steam Sizes 2-12" - 125 PSI - 450°F; Water, Oil, Gas 200 PSI - 150°F

(ASTM A 126, Class B)

Size	Steam	Liquid	2"	2 1/2"	3"	4"	5"	6"	8"	10"	12"	14"	16"	18"	20"	24"
2"-4"	3/64"	1/16"	1314	1315	1316	1318	1319	1320	1321	1322	1323	1324	1325	1339	1340	1341
5"-10"	3/64"	1/8"														
12"	1/16"	1/8"														
14"&up	1/8"	1/8"	\$145	\$164	\$182	\$290	\$521	\$620	\$1,180	\$2,480	\$3,360	\$7,200	\$9,600	\$13,700	\$18,800	\$24,600
Mesh Lined 304 SS	20-30-40-50-60-80-100-150-200		1327	1328	1329	1331	1332	1333	1334	1335	1336	1337	1338	1342	1343	1344
			\$218	\$260	\$290	\$480	\$782	\$930	\$1,530	\$3,080	\$4,160	\$8,400	\$11,200	\$15,700	\$21,600	\$28,000
Shipping Weight			30#	35#	35#	65#	105#	155#	260#	400#	500#	825#	1050#	1723#	2660#	3000#

Style A 250# ANSI EXTRA HEAVY FLANGED Cast Iron Body Y-Strainer

Working Pressure-Non-Shock; Steam Sizes 2-12" - 250 PSI - 450°F; Water, Oil, Gas 500 PSI - 150°F

(ASTM A 126, Class B)

Size	Steam	Liquid	2"	2 1/2"	3"	3 1/2"	4"	5"	6"	8"	10"	12"	14"	16"	18"
2"-4"	3/64"	1/16"	1411	1412	1413	1414	1415	1416	1417	1418	1419	1420	1431	1432	
5"-10"	3/64"	1/8"													
12"	1/16"	1/8"													
14"&up	1/8"	1/8"	\$296	\$334	\$390	\$670	\$670	\$940	\$1,057	\$1,945	\$3,934	\$6,226	\$12,000	\$18,500	Available Price on Application.
Mesh Lined 304 SS	20-30-40-50-60-80-100-150-200		1421	1422	1423	1424	1425	1426	1427	1428	1429	1430	1433	1434	
			\$369	\$430	\$498	\$860	\$860	\$1,200	\$1,367	\$2,295	\$4,534	\$7,026	\$13,400	\$20,700	
Shipping Weight			33#	49#	57#	106#	106#	157#	215#	315#	525#	700#	1400#	1850#	

Style BDI 300# THREADED Cast Ductile Iron Body Y-Strainer

Working Pressure-Non-Shock; Steam 450 PSI - 650°F; Water, Oil, Gas 640 PSI - 100°F

(ASTM A 536, Grade 65-45-12)

Size	Steam	Liquid	1/4"	3/8"	1/2"	3/4"	1"	1 1/4"	1 1/2"	2"	
1/2"-2"	20 Mesh	304 SS				5011	5012	5013	5014	5015	5016
						\$46.90	\$67.30	\$70.00	\$99.40	\$107.80	\$169.00
Perforated 304 SS	3/64", 1/16", 1/8"					5001	5002	5003	5004	5005	5006
						\$51.70	\$72.40	\$78.30	\$108.30	\$119.10	\$189.50
Mesh Lined 304 SS	20-30-40-50-60-80-100-150-200					5021	5022	5023	5024	5025	5026
						\$56.10	\$76.70	\$82.70	\$114.60	\$129.30	\$203.30
Shipping Weight						2#	3#	4 1/2#	5#	8#	15#

Optional – Pipe Plugs for blow-off connection on above, see page 18.

Standard screens provided are for **WATER SERVICE**, unless otherwise specified.

- Add 10% to list price for non-standard perforation.
- Add 10% to list price for Type 316 Stainless Steel.
- Add 35% to list price for Monel Screens.

"Y" STRAINERS – BRONZE BODY

ORDER BY ITEM NUMBER SHOWN ABOVE PRICE

Style F-150 THREADED 125# Bronze Body Y-Strainers

Working Pressure-Non-Shock; Steam 125 PSI - 400°F; Water, Oil, Gas 200 PSI - 150°F (IMPORT)

(C84400)

Size	Steam	Liquid	1/4"	3/8"	1/2"	3/4"	1"	1 1/4"	1 1/2"	2"	2 1/2"	3"
1/4"-2"	20 Mesh	304 SS	2301	2302	2303	2304	2305	2306	2307	2308		
			\$29	\$29	\$29	\$35	\$47	\$72	\$91	\$134		
Perforated 304 SS			2343	2344	2345	2311	2312	2313	2314	2315	2309	2310
3/64", 1/16", 1/8"			\$45	\$45	\$45	\$56	\$69	\$95	\$127	\$210	\$343	\$595
Mesh Lined 304 SS			2346	2347	2348	2318	2319	2320	2321	2322	2323	2324
20-30-40-50-60-80-100-150-200			\$50	\$50	\$50	\$61	\$79	\$109	\$148	\$241	\$503	\$995
Shipping Weight			1/2#	1/2#	1/2#	1#	1 3/4#	2 1/2#	4#	5 1/2#	10#	13 1/2#
BOX QUANTITY			12	12	12	8	8	6	2	2	1	1
CASE QUANTITY			48	48	48	48	32	24	16	8	6	2

Style E-150 SOLDER JOINT 125# Bronze Body Y-Strainers

Working Pressure-Non-Shock; Steam 125 PSI - 400°F; Water, Oil, Gas 200 PSI - 150°F (IMPORT)

(C84400)

Size	Steam	Liquid	1/4"	3/8"	1/2"	3/4"	1"	1 1/4"	1 1/2"	2"	2 1/2"	3"
1/4"-2"	20 Mesh	304 SS	2325	2326	2327	2328	2329	2330	2331	2332		
			\$33	\$33	\$33	\$40	\$52	\$81	\$102	\$151		
Perforated 304 SS			2349	2350	2351	2333	2334	2335	2336	2337	2355	2356
3/64", 1/16", 1/8"			\$49	\$49	\$49	\$61	\$74	\$104	\$139	\$227	\$387	\$670
Mesh Lined 304 SS			2352	2353	2354	2338	2339	2340	2341	2342	2355	2356
20-30-40-50-60-80-100-150-200			\$54	\$54	\$54	\$66	\$84	\$118	\$160	\$258	\$547	\$1,070
Shipping Weight			3/4#	3/4#	3/4#	1#	2 1/4#	2 3/4#	3 1/4#	5 3/4#	8 1/2#	12 1/2#
BOX QUANTITY			12	12	12	8	6	6	2	2	1	1
CASE QUANTITY			48	48	48	48	24	24	16	8	4	2

Style F-300 THREADED 250# Bronze Body Y-Strainers

Working Pressure-Non-Shock; Steam 235 PSI - 400°F; Water, Oil, Gas 400 PSI - 150°F

(ASTM B 62)

Perforated Brass or Perforated 304 SS	1/4"	3/8"	1/2"	3/4"	1"	1 1/4"	1 1/2"	2"	2 1/2"	3"
Size Steam Liquid 1/4"-3" 1/32" 3/64"	2101	2102	2103	2104	2105	2106	2107	2108	2109	2110
	\$56	\$56	\$56	\$64.80	\$99.40	\$146	\$178	\$314	\$602	\$970
Mesh Lined 304 SS	2111	2112	2113	2114	2115	2116	2117	2118	2119	2120
20-30-40-50-60-80-100-150-200	\$62	\$62	\$62	\$101	\$144	\$192	\$231	\$387	\$689	\$1,270
Shipping Weight	3/4#	3/4#	1#	1 1/2#	2 1/2#	4 1/4#	6 1/4#	11#	17 3/4#	25 3/4#

Style E-300 SOLDER JOINT 250# Bronze Body Y-Strainers

Working Pressure-Non-Shock; Steam 235 PSI - 400°F; Water, Oil, Gas 400 PSI - 150°F

(ASTM B 62)

Perforated Brass or Perforated 304 SS	1/4"	3/8"	1/2"	3/4"	1"	1 1/4"	1 1/2"	2"	2 1/2"	3"
Size Steam Liquid 1/4"-3" 1/32" 3/64"	2201	2202	2203	2204	2205	2206	2207	2208	2209	2210
	\$82	\$82	\$82	\$108	\$147	\$196	\$230	\$370	\$662	\$1,040
Mesh Lined 304 SS	2211	2212	2213	2214	2215	2216	2217	2218	2219	2220
20-30-40-50-60-80-100-150-200	\$92	\$92	\$92	\$144	\$191	\$242	\$283	\$443	\$749	\$1,340
Shipping Weight	3/4#	3/4#	3/4#	1#	1 1/2#	2 1/2#	4 1/4#	6 1/4#	11#	17 3/4#

Note: If Style E is used with tubing, advise O.D.

Optional – Pipe Plugs for blow-off connection on above, see page 18.

Standard screens provided are for **WATER SERVICE**, unless otherwise specified.

- Add 10% to list price for non-standard perforation.
- Add 10% to list price for Type 316 Stainless Steel.
- Add 35% to list price for Monel Screens.

"Y" STRAINERS – BRONZE BODY

ORDER BY ITEM NUMBER SHOWN ABOVE PRICE

Style BA-7 150# ANSI FLANGED Nickel Aluminum Bronze Body Y-Strainers

Working Pressure-Non-Shock; Flange Rating: Steam 150 PSI - 225°F; Water, Oil, Gas 195 PSI - 100°F (ASTM B 148, C95800)

Perforated 304 SS Size Steam Liquid	1/2"	3/4"	1"	1-1/4"	1-1/2"	2"	2 1/2"	3"	4"	5"	6"	8"	10"	12"
	2"-4" 3/64" 1/16"	3932	3933	3934	3935	3936	3937	3938	3939	3940	3941	3942	3943	3944
5"-10" 3/64" 1/8"														
12"&UP 1/8" 1/8"	\$630	\$780	\$780	\$820	\$900	\$1,400	\$1,950	\$2,500	\$3,780	\$6,210	\$7,830	\$11,700	\$15,900	\$25,200
Mesh Lined 304 SS 20-30-40-50-60-80-100-150-200	3946	3947	3948	3949	3950	3951	3952	3953	3954	3955	3956	3957	3958	3959
	\$693	\$858	\$858	\$902	\$990	\$1,540	\$2,145	\$2,750	\$4,158	\$6,831	\$8,613	\$12,870	\$17,490	\$27,720
Shipping Weight	7#	11#	11#	12#	14#	22#	32#	41#	63#	111#	136#	212#	280#	460#

Style BA-7 300# ANSI FLANGED Nickel Aluminum Bronze Body Y-Strainers

Working Pressure-Non-Shock; Flange Rating: Steam 360 PSI - 500°F; Water, Oil, Gas 515 PSI - 100°F (ASTM B 62)

Perforated 304 SS Size Steam Liquid	1/2"	3/4"	1"	1-1/4"	1-1/2"	2"	2 1/2"	3"	4"	5"	6"	8"	10"	12"
	2"-4" 3/64" 1/16"	Price on Application.												
5"-10" 3/64" 1/8"														
12"&UP 1/8" 1/8"														
Mesh Lined 304 SS 20-30-40-50-60-80-100-150-200	Price on Application.													
Shipping Weight														

Style BA 150# ANSI FLANGED Bronze Body Y-Strainers

Working Pressure-Non-Shock; Steam 150 PSI - 406°F; Water, Oil, Gas 225 PSI - 150°F (ASTM B 62)

Perforated Brass Size Steam Liquid	2"	2 1/2"	3"	4"	5"	6"	8"-10"-12"-14"-16"
	2"-4" 3/64" 1/16"	2401	2402	2403	2405	2406	
5"-6" 3/64" 1/8"	\$1,263	\$1,960	\$2,404	\$3,640	\$5,404	\$7,481	
Perforated 304 SS 3/64", 1/16", 1/8"	2408	2409	2410	2412	2413	2414	
	\$1,263	\$1,960	\$2,404	\$3,640	\$5,404	\$7,481	
Mesh Lined 304 SS 20-30-40-50-60-80-100-150-200	2415	2416	2417	2419	2420	2421	
	\$1,337	\$2,075	\$2,544	\$3,862	\$5,639	\$7,740	
Shipping Weight	34#	40#	51#	109#	161#	195#	

Style BA 300# ANSI FLANGED Bronze Body Y-Strainers

Working Pressure-Non-Shock; Steam 300 PSI - 406°F; Water, Oil, Gas 500 PSI - 150°F (ASTM B 62)

Perforated Brass Size Steam Liquid	2"	2 1/2"	3"	4"	5"	6"	8"-10"-12"-14"-16"
	2"-4" 3/64" 1/16"	2501	2502	2503	2505	2506	
5"-6" 3/64" 1/8"	\$1,665	\$2,388	\$3,312	\$4,793	\$8,246	\$10,835	
Perforated 304 SS 3/64", 1/16", 1/8"	2508	2509	2510	2512	2513	2514	
	\$1,665	\$2,388	\$3,312	\$4,793	\$8,246	\$10,835	
Mesh Lined 304 SS 20-30-40-50-60-80-100-150-200	2515	2516	2517	2519	2520	2521	
	\$1,742	\$2,506	\$3,453	\$5,011	\$8,479	\$11,108	
Shipping Weight	39#	57#	74#	149#	221#	253#	

Optional – Pipe Plugs for blow-off connection on above, see page 18.

Standard screens provided are for **WATER SERVICE**, unless otherwise specified.

- Add 10% to list price for non-standard perforation.
- Add 10% to list price for Type 316 Stainless Steel.
- Add 35% to list price for Monel Screens.

"Y" STRAINERS – CARBON STEEL BODY

ORDER BY ITEM NUMBER SHOWN ABOVE PRICE

Style SB-7 600# THREADED Cast Carbon Steel Body Y-Strainers

Working Pressure-Non-Shock; Steam 600 PSI - 838°F; Water, Oil, Gas 1480 PSI - 100°F (ASTM A 216, Grade WCB)

Perforated 304 SS Size Steam Liquid 1/4"-3" 3/64" 1/16"	1/4"	3/8"	1/2"	3/4"	1"	1 1/4"	1 1/2"	2"	2 1/2"	3"
		2821	2822	2823	2824	2825	2826	2827	2828	2829
	\$90	\$90	\$90	\$98	\$133	\$180	\$224	\$283	\$1,104	\$1,210
Mesh Lined 304 SS 20-30-40-50-60-80-100- 150-200	2831	2832	2833	2834	2835	2836	2837	2838	2839	2840
	\$101	\$101	\$101	\$115	\$161	\$208	\$258	\$324	\$1,268	\$1,392
Shipping Weight	3#	3#	3#	5#	6#	8#	10#	16#	43#	43#

Style SB-7 600# SOCKET WELD Cast Carbon Steel Body Y-Strainers

Working Pressure-Non-Shock; Steam 600 PSI - 838°F; Water, Oil, Gas 1480 PSI - 100°F (ASTM A 216, Grade WCB)

Perforated 304 SS Size Steam Liquid 1/4"-3" 3/64" 1/16"	1/4"	3/8"	1/2"	3/4"	1"	1 1/4"	1 1/2"	2"	2 1/2"	3"
		2921	2922	2923	2924	2925	2926	2927	2928	2929
	\$90	\$90	\$90	\$98	\$133	\$180	\$224	\$283	\$1,104	\$1,210
Mesh Lined 304 SS 20-30-40-50-60-80-100- 150-200	2931	2932	2933	2934	2935	2936	2937	2938	2939	2940
	\$101	\$101	\$101	\$115	\$161	\$208	\$258	\$324	\$1,268	\$1,392
Shipping Weight	3#	3#	3#	5#	6#	8#	10#	16#	43#	43#

Style SB 1500# THREADED Cast Carbon Steel Body Y-Strainers

Working Pressure-Non-Shock; Steam 1500 PSI - 838°F; Water, Oil, Gas 3705 PSI - 100°F (ASTM A 216, Grade WCB)

Perforated 304 SS Size Steam Liquid 1/2"-3" 1/32" 1/16"	1/2"	3/4"	1"	1 1/4"	1 1/2"	2"	2 1/2"	3"
		3960	3961	3962	3963	3964	3965	3966
	\$493	\$600	\$762	\$1,725	\$1,808	\$2,064	\$2,128	\$2,375
Mesh Lined 304 SS 20-30-40-50-60-80-100- 150-200	3968	3969	3970	3971	3972	3973	3974	3975
	\$544	\$661	\$840	\$1,904	\$1,994	\$2,268	\$2,341	\$2,610
Shipping Weight	10#	12#	15#	22#	22#	30#	50#	50#

Style SB 1500# SOCKET WELD Cast Carbon Steel Body Y-Strainers

Working Pressure-Non-Shock; Steam 1500 PSI - 838°F; Water, Oil, Gas 3705 PSI - 100°F (ASTM A 216, Grade WCB)

Perforated 304 SS Size Steam Liquid 1/2"-3" 1/32" 1/16"	1/2"	3/4"	1"	1 1/4"	1 1/2"	2"	2 1/2"	3"
		3160	3161	3162	3163	3164	3165	3166
	\$493	\$600	\$762	\$1,725	\$1,808	\$2,064	\$2,128	\$2,375
Mesh Lined 304 SS 20-30-40-50-60-80-100- 150-200	3168	3169	3170	3171	3172	3173	3174	3175
	\$544	\$661	\$840	\$1,904	\$1,994	\$2,268	\$2,341	\$2,610
Shipping Weight	10#	12#	15#	22#	22#	30#	50#	50#

Standard screens provided are for **STEAM SERVICE**, unless otherwise specified.

- Add 10% to list price for non-standard perforation.
- Add 10% to list price for Type 316 Stainless Steel.
- Add 35% to list price for Monel Screens.

"Y" STRAINERS – CARBON STEEL BODY

ORDER BY ITEM NUMBER SHOWN ABOVE PRICE

Style SA-7 150# ANSI FLANGED Cast Carbon Steel Body Y-Strainers

Working Pressure-Non-Shock; Steam 150 PSI - 565°F; Water, Oil, Gas 285 PSI - 100°F

(ASTM A 216, Grade WCB)

Perforated 304 SS Size Steam Liquid	1/2"	3/4"	1"	1-1/4"	1-1/2"	2"	2 1/2"	3"	4"	5"	6"	8"	10"	12"	14"	16"-24"
	1/2"-4" 3/64" 1/16"	3021	3022	3023	3024	3025	3026	3027	3028	3029	3030	3031	3032	3033	3034	3049
5"-10" 3/64" 1/8"	\$254	\$308	\$348	\$392	\$460	\$644	\$780	\$807	\$1,349	\$2,169	\$2,352	\$4,554	\$6,346	\$9,134	\$10,800	
12"&UP 1/16" 1/8"																
Mesh Lined 304 SS 20-30-40-50-60-80-100- 150-200	3035	3036	3037	3038	3039	3040	3041	3042	3043	3044	3045	3046	3047	3048	3050	
	\$280	\$342	\$404	\$437	\$504	\$709	\$858	\$885	\$1,495	\$2,410	\$2,660	\$5,092	\$7,074	\$10,142	\$11,880	
Shipping Weight	7#	11#	11#	12#	14#	22#	32#	41#	63#	111#	136#	212#	280#	460#	980#	

Style SA-7 150# BUTT WELD Cast Carbon Steel Body Y-Strainers

Working Pressure-Non-Shock; Steam 150 PSI - 565°F; Water, Oil, Gas 285 PSI - 100°F

(ASTM A 216, Grade WCB)

Perforated 304 SS Size Steam Liquid	1/2"	3/4"	1"	1-1/4"	1-1/2"	2"	2 1/2"	3"	4"	5"	6"	8"	10"	12"	14"-24"
	1/2"-4" 3/64" 1/16"	3970	3971	3972	3973	3974	3975	3976	3977	3978	3979	3980	3981	3982	3983
5"-10" 3/64" 1/8"	\$229	\$278	\$313	\$353	\$414	\$581	\$703	\$726	\$1,215	\$1,953	\$2,117	\$4,100	\$5,712	\$8,221	
12"&UP 1/16" 1/8"															
Mesh Lined 304 SS 20-30-40-50-60-80-100- 150-200	3984	3985	3986	3987	3988	3989	3990	3991	3992	3993	3994	3995	3996	3997	
	\$252	\$306	\$344	\$389	\$455	\$639	\$773	\$799	\$1,337	\$2,149	\$2,329	\$4,510	\$6,284	\$9,043	
Shipping Weight	7#	11#	11#	12#	14#	22#	32#	41#	63#	111#	136#	212#	280#	460#	

Style SA-7 300# ANSI FLANGED Cast Carbon Steel Body Y-Strainers

Working Pressure-Non-Shock; Steam 300 PSI - 838°F; Water, Oil, Gas 740 PSI - 100°F

(ASTM A 216, Grade WCB)

Perforated 304 SS Size Steam Liquid	1/2"	3/4"	1"	1-1/4"	1-1/2"	2"	2 1/2"	3"	4"	5"	6"	8"	10"	12"	14"	16"-24"
	1/2"-4" 3/64" 1/16"	3130	3131	3132	3133	3134	3140	3141	3142	3143	3144	3145	3146	3147	3148	3158
5"-10" 3/64" 1/8"	\$583	\$762	\$762	\$880	\$891	\$908	\$1,064	\$1,126	\$1,707	\$2,740	\$3,197	\$5,784	\$9,896	\$16,901	\$19,600	
12"&UP 1/16" 1/8"																
Mesh Lined 304 SS 20-30-40-50-60-80-100- 150-200	3135	3136	3137	3138	3139	3149	3150	3151	3152	3153	3154	3155	3156	3157	3159	
	\$641	\$838	\$843	\$969	\$982	\$997	\$1,171	\$1,239	\$1,879	\$3,014	\$3,517	\$6,363	\$10,886	\$18,591	\$21,560	
Shipping Weight	6#	13#	13#	19#	19#	33#	44#	58#	90#	180#	180#	304#	470#	709#	1300#	

Style SA-7 300# BUTT WELD Cast Carbon Steel Body Y-Strainers

Working Pressure-Non-Shock; Steam 300 PSI - 838°F; Water, Oil, Gas 740 PSI - 100°F

(ASTM A 216, Grade WCB)

Perforated 304 SS Size Steam Liquid	1/2"	3/4"	1"	1-1/4"	1-1/2"	2"	2 1/2"	3"	4"	5"	6"	8"	10"	12"	14"-24"
	1/2"-4" 3/64" 1/16"	3170	3171	3172	3173	3174	3121	3122	3123	3124	3125	3126	3127	3128	3129
5"-10" 3/64" 1/8"	\$525	\$686	\$686	\$792	\$802	\$824	\$980	\$1,020	\$1,512	\$2,453	\$2,856	\$5,152	\$8,848	\$15,120	
12"&UP 1/16" 1/8"															
Mesh Lined 304 SS 20-30-40-50-60-80-100- 150-200	3175	3176	3177	3178	3179	3250	3251	3252	3253	3254	3255	3256	3257	3258	
	\$577	\$755	\$755	\$872	\$883	\$907	\$1,079	\$1,122	\$1,664	\$2,699	\$3,142	\$5,668	\$9,733	\$16,632	
Shipping Weight	6#	13#	13#	19#	19#	33#	44#	58#	90#	180#	180#	304#	470#	709#	

Style SA 600# ANSI FLANGED Cast Carbon Steel Body Y-Strainers*

Working Pressure-Non-Shock; Steam 600 PSI - 838°F; Water, Oil, Gas 1480 PSI - 100°F

(ASTM A 216, Grade WCB)

Perforated 304 SS Size Steam Liquid	1/2"	3/4"	1"	1-1/4"	1-1/2"	2"	2-1/2"	3"	4"	6"	8"	10"	12"	12"-24"
	1/2"-4" 3/64" 1/16"	3901	3902	3903	3904	3905	3906	3907	3908	3909	3910	3911	3912	3930
5"-10" 3/64" 1/8"	\$728	\$948	\$955	\$1,268	\$1,286	\$1,305	\$1,744	\$2,021	\$3,652	\$8,300	\$12,308	\$21,168	\$27,000	
12"&UP 1/16" 1/8"														
Mesh Lined 304 SS 20-30-40-50-60-80-100- 150-200	3914	3915	3916	3917	3918	3919	3920	3921	3922	3923	3924	3925	3931	
	\$801	\$1,043	\$1,051	\$1,396	\$1,415	\$1,436	\$1,919	\$2,224	\$4,017	\$9,130	\$13,539	\$23,285	\$29,700	
Shipping Weight	6#	12#	12#	19#	27#	40#	60#	78#	160#	364#	670#	1090#	1558#	

*All Sizes Available with Butt Weld End Connections – Consult Factory.

Standard screens provided are for **STEAM SERVICE**, unless otherwise specified.

- Add 10% to list price for non-standard perforation.
- Add 10% to list price for Type 316 Stainless Steel.
- Add 35% to list price for Monel Screens.

"Y" STRAINERS – 316 STAINLESS STEEL BODY

ORDER BY ITEM NUMBER SHOWN ABOVE PRICE

Style SSB-7 600# THREADED #316 Cast Stainless Steel Body Y-Strainers

Working Pressure-Non-Shock; Steam 600 PSI - 1125°F; Water, Oil, Gas 1440 PSI - 100°F (ASTM A 351, Grade CF8M)

Perforated 304 SS Size Steam Liquid 1/4"-3" 3/64" 1/16"	1/4"	3/8"	1/2"	3/4"	1"	1 1/4"	1 1/2"	2"	2 1/2"	3"
		3420	3421	3422	3423	3424	3425	3426	3427	3428
	\$203	\$203	\$213	\$258	\$360	\$440	\$610	\$777	\$2,258	\$2,485
Mesh Lined 304 SS 20-30-40-50-60-80-100- 150-200	3430	3431	3432	3433	3434	3435	3436	3437	3438	3439
	\$224	\$224	\$235	\$284	\$397	\$484	\$671	\$855	\$2,485	\$2,733
Shipping Weight	3#	3#	3#	5#	6#	8#	10#	16#	43#	43#

Style SSB-7 600# SOCKET WELD #316 Cast Stainless Steel Body Y-Strainers

Working Pressure-Non-Shock; Steam 600 PSI - 1125°F; Water, Oil, Gas 1440 PSI - 100°F (ASTM A 351, Grade CF8M)

Perforated 304 SS Size Steam Liquid 1/4"-3" 3/64" 1/16"	1/4"	3/8"	1/2"	3/4"	1"	1 1/4"	1 1/2"	2"	2 1/2"	3"
		3520	3521	3522	3523	3524	3525	3526	3527	3528
	\$203	\$203	\$213	\$258	\$360	\$440	\$610	\$777	\$2,258	\$2,485
Mesh Lined 304 SS 20-30-40-50-60-80-100- 150-200	3530	3531	3532	3533	3534	3536	3537	3538	3539	3540
	\$224	\$224	\$235	\$284	\$397	\$484	\$671	\$855	\$2,485	\$2,733
Shipping Weight	3#	3#	3#	5#	6#	8#	10#	16#	43#	43#

Style SSB 1500# THREADED #316 Cast Stainless Steel Body Y-Strainers

Working Pressure-Non-Shock; Steam 1500 PSI - 1125°F; Water, Oil, Gas 3600 PSI - 100°F (ASTM A 351, Grade CF8M)

Perforated 304 SS Size Steam Liquid 1/2"-3" 1/32" 1/16"	1/2"	3/4"	1"	1 1/4"	1 1/2"	2"	2 1/2"	3"
		3980	3981	3982	3983	3984	3985	3986
	\$779	\$1,129	\$1,331	\$2,447	\$2,617	\$3,136	\$3,335	\$4,015
Mesh Lined 304 SS 20-30-40-50-60-80-100- 150-200	3988	3989	3990	3991	3992	3993	3994	3995
	\$854	\$1,243	\$1,463	\$2,760	\$2,886	\$3,450	\$3,638	\$4,417
Shipping Weight	10#	12#	15#	22#	22#	30#	50#	50#

Style SSB 1500# SOCKET WELD #316 Cast Stainless Steel Body Y-Strainers

Working Pressure-Non-Shock; Steam 1500 PSI - 1125°F; Water, Oil, Gas 3600 PSI - 100°F (ASTM A 351, Grade CF8M)

Perforated 304 SS Size Steam Liquid 1/2"-3" 1/32" 1/16"	1/2"	3/4"	1"	1 1/4"	1 1/2"	2"	2 1/2"	3"
		3180	3181	3182	3183	3184	3185	3186
	\$779	\$1,129	\$1,331	\$2,447	\$2,617	\$3,136	\$3,335	\$4,015
Mesh Lined 304 SS 20-30-40-50-60-80-100- 150-200	3188	3189	3190	3191	3192	3193	3194	3195
	\$854	\$1,243	\$1,463	\$2,760	\$2,886	\$3,450	\$3,638	\$4,417
Shipping Weight	10#	12#	15#	22#	22#	30#	50#	50#

Standard screens provided are for **STEAM SERVICE**, unless otherwise specified.

- Add 10% to list price for non-standard perforation.
- Add 10% to list price for Type 316 Stainless Steel.
- Add 35% to list price for Monel Screens.

"Y" STRAINERS – 316 STAINLESS STEEL BODY

ORDER BY ITEM NUMBER SHOWN ABOVE PRICE

Style SSA-7 150# ANSI FLANGED #316 Stainless Steel Body Y-Strainers

Working Pressure-Non-Shock; Steam 150 PSI - 565°F; Water, Oil, Gas 275 PSI - 100°F

(ASTM A 351, Grade CF8M)

Perforated 304 SS Size Steam Liquid	1/2"	3/4"	1"	1 1/4"	1 1/2"	2"	2 1/2"	3"	4"	6"	8"	10"	12"	14"-24"
	1/2"-4" 3/64" 1/16"	3621	3622	3623	3624	3625	3626	3627	3628	3629	3630	3631	3632	3633
5"-10" 3/64" 1/8"	\$767	\$866	\$904	\$1,004	\$1,136	\$1,155	\$1,742	\$1,945	\$3,100	\$6,715	\$10,741	\$14,196	\$23,016	
12"&UP 1/16" 1/8"														
Mesh Lined 304 SS 20-30-40-50-60-80-100- 150-200	3634	3635	3636	3637	3638	3639	3640	3641	3642	3643	3644	3645	3646	
	\$844	\$954	\$995	\$1,105	\$1,250	\$1,272	\$1,917	\$2,140	\$3,410	\$7,387	\$11,815	\$15,240	\$25,318	
Shipping Weight	7#	11#	11#	12#	14#	22#	32#	41#	63#	136#	212#	280#	460#	

Style SSA-7 150# BUTT WELD #316 Stainless Steel Body Y-Strainers

Working Pressure-Non-Shock; Steam 150 PSI - 565°F; Water, Oil, Gas 275 PSI - 100°F

(ASTM A 351, Grade CF8M)

Perforated 304 SS Size Steam Liquid	1/2"	3/4"	1"	1 1/4"	1 1/2"	2"	2 1/2"	3"	4"	6"	8"	10"	12"	14"-24"
	1/2"-4" 3/64" 1/16"	3760	3761	3762	3763	3764	3765	3766	3767	3768	3769	3770	3771	3772
5"-10" 3/64" 1/8"	\$689	\$780	\$814	\$904	\$1,023	\$1,040	\$1,568	\$1,751	\$2,789	\$6,138	\$9,593	\$13,048	\$20,720	
12"&UP 1/16" 1/8"														
Mesh Lined 304 SS 20-30-40-50-60-80-100- 150-200	3773	3774	3775	3776	3777	3778	3779	3780	3781	3782	3783	3784	3785	
	\$759	\$858	\$895	\$995	\$1,126	\$1,144	\$1,725	\$1,927	\$3,068	\$6,752	\$10,553	\$14,353	\$22,792	
Shipping Weight	7#	11#	11#	12#	14#	22#	32#	41#	63#	136#	212#	280#	460#	

Style SSA-7 300# ANSI FLANGED #316 Stainless Steel Body Y-Strainers

Working Pressure-Non-Shock; Steam 300 PSI - 1125°F; Water, Oil, Gas 720 PSI - 100°F

(ASTM A 351, Grade CF8M)

Perforated 304 SS Size Steam Liquid	1/2"	3/4"	1"	1 1/4"	1 1/2"	2"	2 1/2"	3"	4"	6"	8"	10"	12"	14"-24"
	1/2"-4" 3/64" 1/16"	3771	3772	3773	3774	3775	3706	3707	3708	3709	3710	3721	3722	3723
5"-10" 3/64" 1/8"	\$941	\$1,293	\$1,443	\$1,594	\$1,631	\$2,064	\$2,718	\$3,049	\$5,112	\$9,593	\$15,344	\$23,436	\$35,292	
12"&UP 1/16" 1/8"														
Mesh Lined 304 SS 20-30-40-50-60-80-100- 150-200	3776	3777	3778	3779	3780	3716	3717	3718	3719	3720	3724	3725	3726	
	\$1,035	\$1,423	\$1,588	\$1,754	\$1,795	\$2,271	\$2,990	\$3,355	\$5,624	\$10,553	\$16,879	\$25,781	\$38,821	
Shipping Weight	6#	13#	13#	19#	19#	33#	44#	58#	91#	180#	304#	470#	709#	

Style SSA-7 300# BUTT WELD #316 Stainless Steel Body Y-Strainers

Working Pressure-Non-Shock; Steam 300 PSI - 1125°F; Water, Oil, Gas 720 PSI - 100°F

(ASTM A 351, Grade CF8M)

Perforated 304 SS Size Steam Liquid	1/2"	3/4"	1"	1 1/4"	1 1/2"	2"	2 1/2"	3"	4"	6"	8"	10"	12"	14"-24"
	1/2"-4" 3/64" 1/16"	3650	3651	3652	3653	3654	3730	3731	3732	3733	3735	3736	3737	3738
5"-10" 3/64" 1/8"	\$847	\$1,164	\$1,300	\$1,435	\$1,469	\$1,857	\$2,447	\$2,744	\$4,603	\$8,826	\$13,810	\$21,101	\$31,472	
12"&UP 1/16" 1/8"														
Mesh Lined 304 SS 20-30-40-50-60-80-100- 150-200	3655	3656	3657	3658	3659	3740	3741	3742	3743	3745	3746	3747	3748	
	\$932	\$1,281	\$1,430	\$1,580	\$1,617	\$2,043	\$2,692	\$3,019	\$5,063	\$9,709	\$15,191	\$23,211	\$34,620	
Shipping Weight	6#	13#	13#	19#	19#	33#	44#	58#	91#	180#	304#	470#	709#	

Style SSA 600# ANSI FLANGED #316 Stainless Steel Body Y-Strainers*

Working Pressure-Non-Shock; Steam 600 PSI - 1125°F; Water, Oil, Gas 1440 PSI - 100°F

(ASTM A 351, Grade CF8M)

Perforated 304 SS Size Steam Liquid	1/2"	3/4"	1"	1-1/4"	1-1/2"	2"	2-1/2"	3"	4"	6"	8"-24"
	1/2"-4" 3/64" 1/16"	3750	3751	3752	3753	3754	3755	3756	3757	3758	3759
5"-10" 3/64" 1/8"	\$1,067	\$1,349	\$1,358	\$1,800	\$1,826	\$2,622	\$3,551	\$4,159	\$7,452	\$18,032	
12"&UP 1/16" 1/8"											
Mesh Lined 304 SS 20-30-40-50-60-80-100- 150-200	3761	3762	3763	3764	3765	3766	3767	3768	3769	3700	
	\$1,174	\$1,484	\$1,495	\$1,981	\$2,009	\$2,886	\$3,906	\$4,576	\$8,198	\$19,904	
Shipping Weight	6#	12#	12#	19#	24#	32#	50#	70#	134#	364#	

*All Sizes Available with Butt Weld End Connections – Consult Factory.

Standard screens provided are for **STEAM SERVICE**, unless otherwise specified.

- Add 10% to list price for non-standard perforation.
- Add 10% to list price for Type 316 Stainless Steel.
- Add 35% to list price for Monel Screens.

BASKET STRAINERS – IRON BODY (SIMPLEX)

ORDER BY ITEM NUMBER SHOWN ABOVE PRICE

Style D 250# THREADED Cast Iron Body Basket Strainers

Working Pressure-Non-Shock; Steam 250 PSI - 406°F; Water, Oil, Gas 400 PSI - 150°F

(ASTM A 126, Class B)

Perforated 304 SS Size Steam Liquid 2"-5" 1/16" 1/8" 6"-12" 1/8" 1/8"	1/2"	3/4"	1"	1 1/4"	1 1/2"	2"					
		1501	1502	1503	1504	1505	1506				
	\$166	\$166	\$174	\$205	\$217	\$530					
Mesh Lined 304 SS 20-30-40-50-60-80-100- 150-200	1513	1514	1515	1516	1517	1518					
	\$183	\$183	\$202	\$236	\$257	\$594					
Shipping Weight	6#	6#	6#	16#	16#	20#					

Note: For Style DV use D pricing.

Style D 125# ANSI STANDARD FLANGED Cast Iron Body Basket Strainers

Working Pressure-Non-Shock; Steam 125 PSI - 450°F; Water, Oil, Gas 200 PSI - 150°F

(ASTM A 126, Class B)

Perforated 304 SS Size Steam Liquid 2"-5" 1/16" 1/8" 6"-12" 1/8" 1/8"	2"	2 1/2"	3"	4"	5"	6"	8"	10"	12"	14" - 16" - 18"
		1601	1602	1603	1604	1605	1606	1607	1608	1609
	\$610	\$750	\$830	\$1,380	\$2,200	\$3,300	\$3,800	\$7,200	\$12,800	
Mesh Lined 304 SS 20-30-40-50-60-80-100- 150-200	1619	1620	1621	1622	1623	1624	1625	1626	1627	
	\$684	\$840	\$930	\$1,546	\$2,464	\$3,564	\$4,104	\$7,776	\$13,824	
Shipping Weight	23#	33#	45#	116#	165#	175#	345#	688#	1135#	

Note: For Style DV use D pricing.

Style D 250# ANSI EXTRA HEAVY FLANGED Cast Iron Body Basket Strainers

Working Pressure-Non-Shock; Steam 250 PSI - 450°F; Water, Oil, Gas 500 PSI - 150°F

(ASTM A 126, Class B)

Perforated 304 SS Size Steam Liquid 2"-5" 1/16" 1/8" 6"-12" 1/8" 1/8"	2"	2 1/2"	3"	4"	5"	6"	8"	10"	12"	14" - 16" - 18"
		1701	1702	1703	1704	1705	1706	1707	1708	1709
	\$732	\$900	\$996	\$1,656	\$2,640	\$3,960	\$4,560	\$8,640	\$15,360	
Mesh Lined 304 SS 20-30-40-50-60-80-100- 150-200	1719	1720	1721	1722	1723	1724	1725	1726	1727	
	\$820	\$1,008	\$1,116	\$1,855	\$2,957	\$4,277	\$4,925	\$9,332	\$16,589	
Shipping Weight	29#	42#	55#	122#	195#	211#	410#	748#	1285#	

Note: For Style DV use D pricing.

Standard screens provided are for **WATER SERVICE**, unless otherwise specified.

- Add 10% to list price for non-standard perforation.
- Add 10% to list price for Type 316 Stainless Steel.
- Add 35% to list price for Monel Screens.

BASKET STRAINERS – IRON BODY (SIMPLEX)

ORDER BY ITEM NUMBER SHOWN ABOVE PRICE

Style GFV 125# ANSI STANDARD FLANGED Cast Iron Body Basket Strainers

Working Pressure-Non-Shock; Sizes 2 - 12" Steam - 125 PSI - 450°F;
Water, Oil, Gas 200 PSI - 150°F; Sizes 14 - 16; Steam 100 PSI - 353°F; Water, Oil, Gas 150 PSI - 150°F

(ASTM A 126, Class B)

Perforated 304 SS Size Steam Liquid	2"	2 1/2"	3"	4"	5"	6"	8"	10"	12"	14"	16"	18" - 20" - 24"
2"-3" 1/16" 1/8"	1801	1802	1803	1804	1805	1806	1807	1808	1809	1810	1811	Available. Price on Application.
4"-16" 1/8" 1/8"	\$371	\$456	\$496	\$683	\$940	\$1,075	\$2,100	\$3,151	\$5,233	\$10,000	\$14,500	
Mesh Lined 304 SS 20-30-40-50-60-80- 100-150-200	1812	1813	1814	1815	1816	1817	1818	1819	1820	1821	1822	
	\$438	\$539	\$586	\$806	\$1,128	\$1,269	\$2,478	\$3,719	\$6,175	\$11,200	\$16,240	
Shipping Weight	23#	33#	44#	67#	88#	120#	220#	353#	523#	814#	1041#	

Style GFV 250# ANSI EXTRA HEAVY FLANGED Cast Iron Body Basket Strainers

Working Pressure-Non-Shock Sizes 2 - 12"; Steam 250 PSI - 450°F; Water, Oil, Gas 500 PSI - 150°F
Sizes 14 - 16"; Steam 200 PSI - 406°F; Water, Oil, Gas 300 PSI 150°F

(ASTM A 126, Class B)

Perforated 304 SS Size Steam Liquid	2"	2 1/2"	3"	4"	5"	6"	8"	10"	12"	14" - 16" - 18" - 20" - 24"
2"-3" 1/16" 1/8"	1901	1902	1903	1904	1905	1906	See Style D 250#			Available. Price on Application.
4"-16" 1/8" 1/8"	\$642	\$653	\$764	\$1,076	\$1,402	\$1,469				
Mesh Lined 304 SS 20-30-40-50-60-80- 100-150-200	1910	1911	1912	1913	1914	1915	See Style D 250#			
	\$758	\$771	\$902	\$1,270	\$1,655	\$1,734				
Shipping Weight	29#	53#	65#	107#	187#	224#	410#	748#	1285#	

Style HLC 125# ANSI STANDARD FLANGED Cast Iron Body Basket Strainers with Clamp Cover

Working Pressure-Non-Shock; **Liquid Service Only**
2" thru 4" - 60 PSI; 5" thru 8" - 40 PSI; 10" and 12" (double clamp) 100 PSI

(ASTM A 126, Class B)

Perforated 304 SS Size Liquid	2"	2 1/2"	3"	4"	5"	6"	8"	10"	12"	14" - 16" - 18"
2"-3" 3/64"	2001	2002	2003	2004	2005	2006	2007	2008	2009	Available. Price on Application.
4"-16" 1/8"	\$440	\$508	\$585	\$790	\$1,075	\$1,181	\$2,308	\$3,391	\$5,835	
Mesh Lined 304 SS 20-30-40-50-60-80- 100-150-200	2010	2011	2012	2013	2014	2015	2016	2017	2018	
	\$520	\$600	\$761	\$933	\$1,269	\$1,394	\$2,670	\$4,002	\$6,886	
Shipping Weight	26#	37#	50#	74#	97#	131#	236#	382#	783#	

Style KF-7 150# ANSI FLANGED Cast Ductile Iron Body Basket Strainers

Working Pressure-Non-Shock; Water, Oil, Gas 200 PSI - 100°F

(ASTM A 536, Grade 65-45-12)

Perforated 304 SS Size Liquid	1 1/2"	2"	2 1/2"	3"	4"	6"	8"	10"	12"
1 1/2"-12" 1/8"	8100	8101	8102	8103	8104	8105	8106	8107	8108
	\$230	\$420	\$615	\$980	\$1,600	\$2,600	\$3,700	\$6,900	\$8,800
Mesh Lined 304 SS 20-30-40-50-60-80- 100-150-200	8109	8110	8112	8113	8114	8115	8116	8117	8118
	\$254	\$462	\$677	\$1,078	\$1,760	\$2,860	\$4,070	\$7,600	\$9,680
Shipping Weight	17#	31#	47#	76#	125#	200#	285#	420#	550#

Standard screens provided are for **WATER SERVICE**, unless otherwise specified.

- Add 10% to list price for non-standard perforation.
- Add 10% to list price for Type 316 Stainless Steel.
- Add 35% to list price for Monel Screens.

BASKET STRAINERS – BRONZE BODY (SIMPLEX)

ORDER BY ITEM NUMBER SHOWN ABOVE PRICE

Style BD 150# ANSI FLANGED Bronze Body Basket Strainers

Working Pressure-Non-Shock; Steam 150 PSI - 406°F; Water, Oil, Gas 225 PSI - 150°F

(ASTM B 62)

Perforated 304 SS Size Steam Liquid	2"	2 1/2"	3"	4"	5"	6"	8" - 10" - 12"
	2"-5" 1/16" 1/8" 6"-12" 1/8" 1/8"	2615 \$1,652	2616 \$2,457	2617 \$2,850	2619 \$4,619	2620 \$10,327	
Mesh Lined 304 SS 20-30-40-50-60-80- 100-150-200	2629 \$1,815	2630 \$2,697	2631 \$3,134	2633 \$5,011	2634 \$10,737	2635 \$11,203	
Shipping Weight	27#	38#	52#	135#	193#	201#	

Note: For Style BDV use BD pricing.

Style BD 300# ANSI FLANGED Bronze Body Basket Strainers

Working Pressure-Non-Shock; Steam 300 PSI - 406°F; Water, Oil, Gas 500 PSI - 150°F

(ASTM B 62)

Perforated 304 SS Size Steam Liquid	2"	2 1/2"	3"	4"	5"	6"	8" - 10" - 12"
	2"-5" 1/16" 1/8" 6"-12" 1/8" 1/8"	2715 \$1,873	2716 \$2,908	2717 \$4,091	2719 \$5,162	2720 \$10,840	
Mesh Lined 304 SS 20-30-40-50-60-80- 100-150-200	2729 \$2,037	2730 \$3,148	2731 \$4,379	2733 \$5,762	2734 \$11,257	2735 \$11,697	
Shipping Weight	33#	47#	63#	142#	228#	243#	

Note: For Style BDV use BD pricing.

Style BKF-7 150# ANSI FLANGED Cast Nickel Aluminum Bronze Body Basket Strainers

Working Pressure-Non-Shock; Flange Rating: Water, Oil, Gas 195 PSI - 100°F

(ASTM B 148, C95800)

Perforated 304 SS Size Liquid	1 1/2"	2"	2 1/2"	3"	4"	6"	8"	10"	12"
	1 1/2"-12" 1/8"	8120 \$1,100	8121 \$2,200	8122 \$3,300	8123 \$5,220	8124 \$8,600	8125 \$12,400	8126 \$18,500	8127 \$24,500
Mesh Lined 304 SS 20-30-40-50-60-80- 100-150-200	8129 \$1,210	8130 \$2,420	8131 \$3,630	8132 \$5,750	8133 \$9,460	8134 \$13,640	8135 \$20,350	8136 \$26,950	8137 \$35,640
Shipping Weight	17#	31#	47#	76#	125#	200#	285#	420#	550#

Standard screens provided are for **WATER SERVICE**, unless otherwise specified.

- Add 10% to list price for non-standard perforation.
- Add 10% to list price for Type 316 Stainless Steel.
- Add 35% to list price for Monel Screens.

BASKET STRAINERS – CARBON STEEL BODY (SIMPLEX)

ORDER BY ITEM NUMBER SHOWN ABOVE PRICE

Style SD 300# THREADED Cast Carbon Steel Body Basket Strainers

Working Pressure-Non-Shock; Steam 300 PSI - 838°F; Water, Oil, Gas 740 PSI - 100°F

(ASTM A 216, Grade WCB)

Perforated 304 SS Size Steam Liquid	1/4"	3/8"	1/2"	3/4"	1"	1-1/4"	1-1/2"	2"	2-1/2"	3"
	1/4"-2" 1/32" 1/16" 1/4"-3" 3/64" 1/16"	3860 \$288	3861 \$288	3862 \$305	3863 \$305	3864 \$380	3865 \$535	3866 \$546	3867 \$984	3868 \$1,451
Mesh Lined 304 SS 20-30-40-50-60-80-100- 150-200	3870 \$317	3871 \$317	3872 \$331	3873 \$331	3874 \$418	3875 \$576	3876 \$600	3877 \$1,082	3878 \$1,595	3879 \$2,350
Shipping Weight	6#	6#	6#	6#	9#	14#	14#	27#	34#	60#

Style SD-K 150# THREADED Cast Carbon Steel Body Basket Strainers w/ Knobs

Working Pressure-Non-Shock; Water, Oil, Gas 285 PSI - 100°F

(ASTM A 216, Grade WCB)

Perforated 304 SS Size Steam Liquid	1/4"	3/8"	1/2"	3/4"	1"	1-1/4"	1-1/2"	2"	2-1/2"	3"
	1/4"-2" 1/32" 1/16" 1/4"-3" 3/64" 1/16"	3860K \$288	3861K \$288	3862K \$305	3863K \$305	3864K \$380	3865K \$535	3866K \$546	3867K \$984	3868K \$1,451
Mesh Lined 304 SS 20-30-40-50-60-80-100- 150-200	3870K \$317	3871K \$317	3872K \$331	3873K \$331	3874K \$418	3875K \$576	3876K \$600	3877K \$1,082	3878K \$1,595	3879K \$2,350
Shipping Weight	6#	6#	6#	6#	9#	14#	14#	27#	34#	60#

Style SGFV 150# ANSI FLANGED Cast Carbon Steel Body Basket Strainers

Working Pressure-Non-Shock; Steam 150 PSI - 565°F; Water, Oil, Gas 285 PSI - 100°F

(ASTM A 216, Grade WCB)

Perforated 304 SS Size Steam Liquid	1-1/2"	2"	2 1/2"	3"	4"	5"	6"	8"	10"	12"	14"	16"-24"
	1 1/2"-3" 3/64" 1/16" 4"-12" 1/16" 1/8"	3336 \$800	3340 \$941	3341 \$1,176	3342 \$1,479	3343 \$1,949	3344 \$2,700	3345 \$3,400	3346 \$4,688	3347 \$7,012	3348 \$13,104	3358 \$14,750
Mesh Lined 304 SS 20-30-40-50-60-80-100- 150-200	3337 \$850	3349 \$997	3350 \$1,247	3351 \$1,567	3352 \$2,089	3353 \$2,901	3354 \$3,741	3355 \$5,164	3356 \$7,728	3357 \$14,672	3359 \$16,225	
Shipping Weight	28#	30#	35#	39#	69#	110#	125#	270#	360#	450#	1550#	

Style SGFV-K 150# ANSI FLANGED Cast Carbon Steel Body Basket Strainers w/ knobs

Working Pressure-Non-Shock; Water, Oil, Gas 285 PSI - 100°F

(ASTM A 216, Grade WCB)

Perforated 304 SS Size Steam Liquid	1-1/2"	2"	2 1/2"	3"	4"	5"	6"	8"	10"	12"	14" - 24"
	1 1/2"-3" 3/64" 1/16" 4"-12" 1/16" 1/8"	3336K \$880	3340K \$1,036	3341K \$1,294	3342K \$1,627	3343K \$2,144	3344K \$2,970	3345K \$3,638	3346K \$5,017	3347K \$7,503	3348K \$14,022
Mesh Lined 304 SS 20-30-40-50-60-80-100- 150-200	3337K \$935	3349K \$1,097	3350K \$1,372	3351K \$1,724	3352K \$2,298	3353K \$3,192	3354K \$4,003	3355K \$5,526	3356K \$8,269	3357K \$15,700	
Shipping Weight	28#	30#	35#	39#	69#	110#	125#	270#	360#	450#	

Style SGFV 300# ANSI FLANGED Cast Carbon Steel Body Basket Strainers

Working Pressure-Non-Shock; Steam 300 PSI - 838°F; Water, Oil, Gas 740 PSI - 100°F

(ASTM A 216, Grade WCB)

Perforated 304 SS Size Steam Liquid	1-1/2"	2"	2 1/2"	3"	4"	5"	6"	8"	10"	12"	14"	16"-24"
	1 1/2"-3" 3/64" 1/16" 4"-12" 1/16" 1/8"	3338 \$1,155	3360 \$1,358	3361 \$1,563	3362 \$1,848	3363 \$2,576	3364 \$3,786	3365 \$4,548	3366 \$5,780	3367 \$9,632	3368 \$19,578	3378 \$22,250
Mesh Lined 304 SS 20-30-40-50-60-80-100- 150-200	3339 \$1,205	3369 \$1,414	3370 \$1,633	3371 \$1,937	3372 \$2,716	3373 \$3,988	3374 \$4,889	3375 \$6,256	3376 \$10,349	3377 \$21,146	3379 \$24,475	
Shipping Weight	30#	32#	42#	56#	88#	126#	150#	295#	420#	500#		

Standard screens provided are for **WATER SERVICE**, unless otherwise specified.

- Add 10% to list price for non-standard perforation.
- Add 10% to list price for Type 316 Stainless Steel.
- Add 35% to list price for Monel Screens.

BASKET STRAINERS – 316 STAINLESS STEEL BODY (SIMPLEX)

ORDER BY ITEM NUMBER SHOWN ABOVE PRICE

Style SSD 300# THREADED #316 Cast Stainless Steel Body Basket Strainers

Working Pressure-Non-Shock; Steam 300 PSI - 1125°F; Water, Oil, Gas 720 PSI - 100°F

(ASTM A 351, Grade CF8M)

Perforated 304 SS Size Steam Liquid	1/4"	3/8"	1/2"	3/4"	1"	1-1/4"	1-1/2"	2"	2-1/2"	3"
	1/4"-2" 1/32" 1/16"	3800	3801	3802	3803	3804	3805	3806	3807	3808
2 1/2"-3" 3/64" 1/16"	\$445	\$445	\$452	\$457	\$592	\$861	\$861	\$1,291	\$2,117	\$2,655
Mesh Lined 304 SS 20-30-40-50-60-80-100-150-200	3810	3811	3812	3813	3814	3815	3816	3817	3818	3819
	\$490	\$490	\$498	\$503	\$651	\$947	\$947	\$1,421	\$2,329	\$2,920
Shipping Weight	6#	6#	6#	6#	9#	14#	14#	27#	34#	60#

Style SSD-K 150# THREADED #316 Cast Stainless Steel Body Basket Strainers w/ Knobs

Working Pressure-Non-Shock; Water, Oil, Gas 275 PSI - 100°F

(ASTM A 351, Grade CF8M)

Perforated 304 SS Size Steam Liquid	1/4"	3/8"	1/2"	3/4"	1"	1-1/4"	1-1/2"	2"	2-1/2"	3"
	1/4"-2" 1/32" 1/16"	3800K	3801K	3802K	3803K	3804K	3805K	3806K	3807K	3808K
2 1/2"-3" 3/64" 1/16"	\$445	\$445	\$452	\$457	\$592	\$861	\$861	\$1,291	\$2,117	\$2,655
Mesh Lined 304 SS 20-30-40-50-60-80-100-150-200	3810K	3811K	3812K	3813K	3814K	3815K	3816K	3817K	3818K	3819K
	\$490	\$490	\$498	\$503	\$651	\$947	\$947	\$1,421	\$2,329	\$2,920
Shipping Weight	6#	6#	6#	6#	9#	14#	14#	27#	34#	60#

Style SSGFV 150# ANSI FLANGED #316 Stainless Steel Body Basket Strainers

Working Pressure-Non-Shock; Steam 150 PSI - 565°F; Water, Oil, Gas 275 PSI - 100°F

(ASTM A 351, Grade CF8M)

Perforated 304 SS Size Steam Liquid	1-1/2"	2"	2 1/2"	3"	4"	5"	6"	8"	10"	12"	14" - 24"
	1 1/2"-3" 3/64" 1/16"	3880	3821	3822	3823	3824	3825	3826	3827	3828	3829
4"-12" 1/16" 1/8"	\$1,745	\$2,052	\$2,397	\$2,509	\$4,065	\$5,394	\$7,715	\$9,408	\$17,311	\$28,036	
Mesh Lined 304 SS 20-30-40-50-60-80-100-150-200	3881	3831	3832	3833	3834	3835	3836	3837	3838	3839	
	\$1,920	\$2,258	\$2,637	\$2,760	\$4,472	\$5,934	\$8,487	\$10,349	\$19,043	\$30,841	
Shipping Weight	28#	30#	35#	39#	69#	110#	125#	270#	360#	450#	

Style SSGFV-K 150# ANSI FLANGED #316 Stainless Steel Body Basket Strainers w/ Knobs

Working Pressure-Non-Shock; Water, Oil, Gas 275 PSI - 100°F

(ASTM A 351, Grade CF8M)

Perforated 304 SS Size Steam Liquid	1-1/2"	2"	2 1/2"	3"	4"	5"	6"	8"	10"	12"	14" - 24"
	1 1/2"-3" 3/64" 1/16"	3880K	3821K	3822K	3823K	3824K	3825K	3826K	3827K	3828K	3829K
4"-12" 1/16" 1/8"	\$1,920	\$2,258	\$2,637	\$2,760	\$4,472	\$5,934	\$8,256	\$10,067	\$18,523	\$30,000	
Mesh Lined 304 SS 20-30-40-50-60-80-100-150-200	3881K	3831K	3832K	3833K	3834K	3835K	3836K	3837K	3838K	3839K	
	\$2,112	\$2,484	\$2,901	\$3,036	\$4,920	\$6,528	\$9,082	\$11,074	\$20,377	\$33,000	
Shipping Weight	28#	30#	35#	39#	69#	110#	125#	270#	360#	450#	

Style SSGFV 300# ANSI FLANGED #316 Stainless Steel Body Basket Strainers

Working Pressure-Non-Shock; Steam 300 PSI - 1125°F; Water, Oil, Gas 720 PSI - 100°F

(ASTM A 351, Grade CF8M)

Perforated 304 SS Size Steam Liquid	1-1/2"	2"	2 1/2"	3"	4"	5"	6"	8"	10"	12"	14" - 24"
	1 1/2"-3" 3/64" 1/16"	3882	3841	3842	3843	3844	3845	3846	3847	3848	3849
4"-12" 1/16" 1/8"	\$1,830	\$2,149	\$2,760	\$3,036	\$5,075	\$6,272	\$8,591	\$11,165	\$18,309	\$31,360	
Mesh Lined 304 SS 20-30-40-50-60-80-100-150-200	3883	3851	3852	3853	3854	3855	3856	3857	3858	3859	
	\$2,010	\$2,364	\$3,037	\$3,339	\$5,584	\$6,900	\$9,450	\$12,281	\$20,140	\$34,496	
Shipping Weight	30#	32#	42#	56#	88#	126#	150#	295#	420#	500#	

Standard screens provided are for **WATER SERVICE**, unless otherwise specified.

- Add 10% to list price for non-standard perforation.
- Add 10% to list price for Type 316 Stainless Steel.
- Add 35% to list price for Monel Screens.

BASKET STRAINERS – DUCTILE IRON BODY (DUPLEX)

ORDER BY ITEM NUMBER SHOWN ABOVE PRICE

Style DPXS THREADED Duplex Basket Strainer

Cast Ductile Iron Body, **Stainless Steel** Diverter Valve
Stainless Steel Baskets, Knob Type Covers

Maximum Working Pressure - 200 PSIG-WOG at 150°F
Not recommended for steam **(ASTM A 536, Grade 65-45-12)**

Perforated 304 SS Size Liquid	3/4"	1"	1 1/4"	1 1/2"	2"	2 1/2"
3/4"-1 1/2" 1/16"	6001	6002	6003	6004	6005	6006
2"-2 1/2" 1/8"	\$1,012	\$1,012	\$1,780	\$1,780	\$3,000	\$3,250
Mesh Lined 304 SS 20-30-40-50-60-80-100-150-200	6007	6008	6009	6010	6011	6012
	\$1,083	\$1,083	\$1,905	\$1,905	\$3,210	\$3,478
Shipping Weight	29#	29#	42#	42#	108#	108#

Style DPXF 125# ANSI STANDARD FLANGED Duplex Basket Strainer

Cast Ductile Iron Body, **Stainless Steel** Diverter Valve
Stainless Steel Baskets, Knob Type Covers

Maximum Working Pressure - 200 PSIG-WOG at 150°F
Not recommended for steam **(ASTM A 536, Grade 65-45-12)**

Perforated 304 SS Size Liquid	1"	1 1/2"	2"	2 1/2"	3"	4"	6" [†]	8" [†]	Larger Sizes Available. Price on Application.
1"-1 1/2" 1/16"	6013	6014	6015	6016	6017	6018	6019	6020	
2"-8" 1/8"	\$1,900	\$2,175	\$3,225	\$3,450	\$3,750	\$6,350	\$19,600	\$29,500	
Mesh Lined 304 SS 20-30-40-50-60-80-100-150-200	6021	6022	6023	6024	6025	6026	6027	6028	
	\$2,033	\$2,327	\$3,451	\$3,692	\$4,013	\$6,795	\$20,972	\$31,565	
Shipping Weight	35#	49#	115#	117#	172#	242#	550#	1215#	

[†]6" and 8" units have Cast Iron bodies (ASTM A 126, Class B) and Bronze Diverter Valves.

BASKET STRAINERS – NICKEL ALUMINUM BRONZE BODY (DUPLEX)

ORDER BY ITEM NUMBER SHOWN ABOVE PRICE

Style BDPXS THREADED Duplex Basket Strainer

Cast Nickel Aluminum Bronze Body, **Nickel Aluminum Bronze** Diverter Valve
Stainless Steel Baskets, Knob Type Covers

Maximum Working Pressure - 225 PSIG-WOG at 150°F
Not recommended for steam **(ASTM B 148, C95800)**

Perforated 304 SS Size Liquid	3/4"	1"	1 1/4"	1 1/2"	2"	2 1/2"
3/4"-1 1/2" 1/16"	4501	4502	4503	4504	4506	4507
2"-2 1/2" 1/8"	\$5,500	\$5,500	\$9,100	\$9,100	\$14,000	\$14,000
Mesh Lined 304 SS 20-30-40-50-60-80-100-150-200	4501	4502	4503	4504	4506	4507
	\$6,270	\$6,270	\$10,202	\$10,202	\$15,236	\$15,236
Shipping Weight	35#	35#	51#	51#	132#	132#

Style BDPXF 150# ANSI STANDARD FLANGED Duplex Basket Strainer

Cast Nickel Aluminum Bronze Body, **Nickel Aluminum Bronze** Diverter Valve
Stainless Steel Baskets, Knob Type Covers, 8" Bolted Cover

Maximum Working Pressure (Flange Rating): 195 PSIG-WOG at 100°F
Not recommended for steam **(ASTM B 148, C95800)**

Perforated 304 SS Size Liquid	1"	1 1/2"	2"	2 1/2"	3"	4"	Larger Sizes Available. Price on Application.
1"-1 1/2" 1/16"	4407	4408	4409	4410	4411	4412	
2"-4" 1/8"	\$5,700	\$10,050	\$16,200	\$16,900	\$24,000	\$29,500	
Mesh Lined 304 SS 20-30-40-50-60-80-100-150-200	4407	4408	4409	4410	4411	4412	
	\$6,340	\$11,177	\$17,442	\$18,289	\$25,567	\$31,060	
Shipping Weight	35#	49#	115#	117#	172#	242#	

DIFFERENTIAL PRESSURE INDICATOR – Provides visual warning when cleaning is required. See page 21.

Standard screens provided are for **WATER SERVICE**, unless otherwise specified.

- Add 10% to list price for non-standard perforation.
- Add 10% to list price for Type 316 Stainless Steel.
- Add 35% to list price for Monel Screens.

BASKET STRAINERS – CARBON STEEL BODY (DUPLEX)

ORDER BY ITEM NUMBER SHOWN ABOVE PRICE

Style SDPXS THREADED Duplex Basket Strainer

Cast Steel Body, **Stainless Steel** Diverter Valve
Stainless Steel Baskets, Knob Type Covers

Maximum Working Pressure – 285 PSIG-WOG at 100°F
Not recommended for steam (ASTM A 216, Grade WCB)

Perforated 304 SS Size Liquid	3/4"	1"	1 1/4"	1 1/2"	2"	2 1/2"
	3/4"-1 1/2" 1/16" 2"-2 1/2" 1/8"	4601 \$2,125	4602 \$2,125	4603 \$3,475	4604 \$3,475	4605 \$4,600
Mesh Lined 304 SS 20-30-40-50-60-80-100- 150-200	4601 \$2,231	4602 \$2,231	4603 \$3,649	4604 \$3,649	4605 \$4,830	4606 \$7,954
Shipping Weight	35#	35#	44#	44#	117#	117#

Style SDPXF 150# ANSI FLANGED Duplex Basket Strainer

Cast Steel Body, **Stainless Steel** Diverter Valve
Stainless Steel Covers, 8" Bolted Cover

Maximum Working Pressure – 285 PSIG-WOG at 100°F
Not recommended for steam (ASTM A 216, Grade WCB)

Perforated 304 SS Size Liquid	1"	1 1/2"	2"	2 1/2"	3"	4"	6" [†]	8" [†]	Larger Sizes Available. Price on Application.
	1"-1 1/2" 1/16" 2"-4" 1/8"	4607 \$2,325	4608 \$3,450	4609 \$4,925	4610 \$7,950	4611 \$8,685	4612 \$10,700	4613 \$29,400	
Mesh Lined 304 SS 20-30-40-50-60-80-100- 150-200	4607 \$2,441	4608 \$3,623	4609 \$5,171	4610 \$8,348	4611 \$9,119	4612 \$11,235	4613 \$30,870	4614 \$47,565	
Shipping Weight	44#	44#	128#	132#	209#	300#	640#	1840#	

[†]6" and 8" units are furnished standard with Bronze Diverter Valves.

BASKET STRAINERS – 316 STAINLESS STEEL BODY (DUPLEX)

ORDER BY ITEM NUMBER SHOWN ABOVE PRICE

Style SSDPXS THREADED Duplex Basket Strainer

Cast Stainless Steel Body, **Stainless Steel** Diverter Valve
Stainless Steel Baskets, Knob Type Covers

Maximum Working Pressure – 275 PSIG-WOG at 100°F
Not recommended for steam (ASTM A 351, Grade CF8M)

Perforated 304 SS Size Liquid	3/4"	1"	1 1/4"	1 1/2"	2"	2 1/2"
	3/4"-1 1/2" 1/16" 2"-2 1/2" 1/8"	4701 \$2,775	4702 \$2,775	4703 \$4,500	4704 \$4,500	4705 \$6,975
Mesh Lined 304 SS 20-30-40-50-60-80-100- 150-200	4701 \$2,914	4702 \$2,914	4703 \$4,725	4704 \$4,725	4705 \$7,324	4706 \$10,448
Shipping Weight	35#	35#	44#	44#	114#	114#

Style SSDPXF 150# ANSI FLANGED Duplex Basket Strainer

Cast Stainless Steel Body, **Stainless Steel** Diverter Valve
Stainless Steel Baskets, Knob Type Covers, 8" Bolted Cover

Maximum Working Pressure – 275 PSIG-WOG at 100°F
Not recommended for steam (ASTM A 351, Grade CF8M)

Perforated 304 SS Size Liquid	1"	1 1/2"	2"	2 1/2"	3"	4"	6" [†]	8" [†]	Larger Sizes Available. Price on Application.
	1"-1 1/2" 1/16" 2"-4" 1/8"	4707 \$4,075	4708 \$5,275	4709 \$8,100	4710 \$10,750	4711 \$12,030	4712 \$15,225	4713 \$42,800	
Mesh Lined 304 SS 20-30-40-50-60-80-100- 150-200	4707 \$4,279	4708 \$5,539	4709 \$8,505	4710 \$11,288	4711 \$12,632	4712 \$15,986	4713 \$44,940	4714 \$73,500	
Shipping Weight	44#	57#	128#	128#	211#	301#	671#	1810#	

[†]6" and 8" units are furnished standard with Bronze Diverter Valves.

DIFFERENTIAL PRESSURE INDICATOR – Provides visual warning when cleaning is required. See page 21.
Standard screens provided are for **WATER SERVICE**, unless otherwise specified.

- Add 10% to list price for non-standard perforation.
- Add 10% to list price for Type 316 Stainless Steel.
- Add 35% to list price for Monel Screens.

TEMPORARY STRAINERS – CONE, BASKET, PLATE

ORDER BY ITEM NUMBER SHOWN ABOVE PRICE

Style TC TEMPORARY CONE Strainers

150# or 300# (100% or 150% open area)

	1 1/2"	2"	2 1/2"	3"	4"	5"	6"	8"	10"	12"	14"-16"-18"-20"-24"
1/8" Perf. Carbon Steel	1 1/2TCS \$114	2TCS \$114	2 1/2TCS \$131	3TCS \$146	4TCS \$170	5TCS \$202	6TCS \$222	8TCS \$264	10TCS \$345	12TCS \$416	Available. Price on Application.
Mesh Lined 304 SS 20-30-40-50-60-80-100-150-200	1 1/2TCS \$142	2TCS \$142	2 1/2TCS \$158	3TCS \$182	4TCS \$205	5TCS \$246	6TCS \$274	8TCS \$327	10TCS \$424	12TCS \$484	
1/8" Perf. 304 Stainless Steel	1 1/2TCS \$118	2TCS \$118	2 1/2TCS \$143	3TCS \$160	4TCS \$194	5TCS \$238	6TCS \$264	8TCS \$302	10TCS \$420	12TCS \$546	
Mesh Lined 304 SS 20-30-40-50-60-80-100-150-200	1 1/2TCS \$148	2TCS \$148	2 1/2TCS \$176	3TCS \$198	4TCS \$238	5TCS \$275	6TCS \$317	8TCS \$374	10TCS \$538	12TCS \$728	

Style TB TEMPORARY BASKET Strainers

150# or 300# (100% or 150% open area)

	1 1/2"	2"	2 1/2"	3"	4"	5"	6"	8"	10"	12"	14"-16"-18"-20"-24"
1/8" Perf. Carbon Steel	1 1/2TBS \$114	2TBS \$114	2 1/2TBS \$131	3TBS \$146	4TBS \$170	5TBS \$202	6TBS \$222	8TBS \$264	10TBS \$345	12TBS \$416	Available. Price on Application.
Mesh Lined 304 SS 20-30-40-50-60-80-100-150-200	1 1/2TBS \$142	2TBS \$142	2 1/2TBS \$158	3TBS \$182	4TBS \$205	5TBS \$246	6TBS \$274	8TBS \$327	10TBS \$424	12TBS \$484	
1/8" Perf. 304 Stainless Steel	1 1/2TBS \$118	2TBS \$118	2 1/2TBS \$143	3TBS \$160	4TBS \$194	5TBS \$238	6TBS \$264	8TBS \$302	10TBS \$420	12TBS \$546	
Mesh Lined 304 SS 20-30-40-50-60-80-100-150-200	1 1/2TBS \$148	2TBS \$148	2 1/2TBS \$176	3TBS \$198	4TBS \$238	5TBS \$275	6TBS \$317	8TBS \$374	10TBS \$538	12TBS \$728	

Style TP TEMPORARY PLATE Strainers

150# or 300#

	1 1/2"	2"	2 1/2"	3"	4"	5"	6"	8"	10"	12"	14"-16"-18"-20"-24"
1/8" Perf. Carbon Steel	1 1/2TPS \$63	2TPS \$63	2 1/2TPS \$71	3TPS \$88	4TPS \$104	5TPS \$116	6TPS \$130	8TPS \$158	10TPS \$192	12TPS \$234	Available. Price on Application.
Mesh Lined 304 SS 20-30-40-50-60-80-100-150-200	1 1/2TPS \$70	2TPS \$70	2 1/2TPS \$81	3TPS \$97	4TPS \$110	5TPS \$132	6TPS \$153	8TPS \$191	10TPS \$229	12TPS \$284	
1/8" Perf. 304 Stainless Steel	1 1/2TPS \$74	2TPS \$74	2 1/2TPS \$88	3TPS \$104	4TPS \$118	5TPS \$143	6TPS \$153	8TPS \$193	10TPS \$290	12TPS \$379	
Mesh Lined 304 SS 20-30-40-50-60-80-100-150-200	1 1/2TPS \$81	2TPS \$81	2 1/2TPS \$104	3TPS \$118	4TPS \$138	5TPS \$161	6TPS \$175	8TPS \$244	10TPS \$361	12TPS \$460	

FABRICATED STRAINERS – “Y”, TEE, BASKET

Style Y 150 LB., 300 LB., 600 LB., “Y” Strainers

Carbon Steel or Stainless Steel Body
Flanged or Butt Weld Connections

For Drawings –See Product Binder/Web Site	Price on Application
--	-----------------------------

Style T and TQ 150 LB., 300 LB., 600 LB., Tee Type

Carbon Steel or Stainless Steel Body
Flanged or Butt Weld Connections

For Drawings –See Product Binder/Web Site	Price on Application
--	-----------------------------

Style FB 150 LB., 300 LB., 600 LB., Basket Type

Carbon Steel or Stainless Steel Body
Flanged or Butt Weld Connections

For Drawings –See Product Binder/Web Site	Price on Application
--	-----------------------------

ADDITIONAL PRICING INFORMATION PLUGS FOR BLOW-OFF OUTLETS

Strainer Size	1/4"	3/8"	1/2"	3/4"	1"	1 1/4"	1 1/2"	2"	2 1/2"	3"	4"
Iron Plugs	\$2.10	\$2.10	\$2.10	\$2.10	\$2.80	\$2.80	\$3.00	\$4.70	\$4.70	\$6.00	\$9.10
Bronze Plugs	\$4.70	\$4.70	\$4.70	\$5.70	\$5.70	\$5.70	\$8.10	\$10.30	\$16.80	\$16.80	\$22.70

For strainer sizes over 4" use 4" plug prices.
"Y" Strainers shipped less plugs
Basket Strainers shipped with plugs

GALVANIZED BODIES

Consult Factory For Pricing and Availability.

GAS SERVICE STRAINERS

Style GA "Y" Strainers supplied with "O" Ring Flange Seal – Price on Application.

MILITARY SPECIFICATIONS

Strainers comply to government and military specification and BuShip/Navship drawing numbers – Price on Application.

EPOXY COATING – Consult Factory.

SCREENS

MAGNET INSERTS – Fastened to screen – Price on Application.

REINFORCING BANDS – Price on Application.

SPECIAL SCREENS – Fabricate to order. Price on Application.

"Y" STRAINER – REPLACEMENT SCREENS

ORDER BY ITEM NUMBER SHOWN ABOVE PRICE

REPLACEMENT SCREENS ONLY

For Styles A, B, BA, BA-7, BDI, E, F, SA, SA-7, SB, SB-7, SSA, SSA-7, SSB, and SSB-7 Y Pattern Strainers

Size	20 Mesh 304 Stainless Steel	Perforated 304 SS 1/32", 3/64", 1/16", 1/8", 5/32"	Perforated Brass	Mesh Lined 304 Stainless Steel 20-30-40-50-60-80-100-150-200
1/4"	4001 \$5.90	4021 \$8.40	4041 \$8.40	4061 \$10.40
3/8"	4002 \$5.90	4022 \$8.40	4042 \$8.40	4062 \$10.40
1/2"	4003 \$5.90	4023 \$10.20	4043 \$10.20	4063 \$16.90
3/4"	4004 \$6.30	4024 \$10.90	4044 \$10.90	4064 \$17.60
1"	4005 \$7.20	4025 \$14.30	4045 \$14.30	4065 \$19.10
1 1/4"	4006 \$8.40	4026 \$17.30	4046 \$17.30	4066 \$24.60
1 1/2"	4007 \$11.60	4027 \$22.30	4047 \$22.30	4067 \$31.80
2"	4008 \$16.80	4028 \$32.30	4048 \$32.30	4068 \$49.10
2 1/2"		4029 \$54	4049 \$54	4069 \$100
3"		4030 \$68	4050 \$68	4070 \$118
3 1/2"		4031 \$126	4051 \$126	4071 \$213
4"		4032 \$130	4052 \$130	4072 \$213
5"		4033 \$150	4053 \$150	4073 \$252
6"		4034 \$206	4054 \$206	4074 \$338
8"		4035 \$295	4055 \$295	4075 \$499
10"		4036 \$432	4056 \$432	4076 \$735
12"		4037 \$593	4057 \$593	4077 \$999
14"		4038 \$1,107	4058 \$1,107	4078 \$1,881
16"		4039 \$1,478	4059 \$1,478	4079 On Application
18"		4040 \$2,143	4060 \$2,143	4080 On Application

IMPORTANT: When ordering screens, specify size and style strainer.

Standard screens provided are for **WATER SERVICE** except in carbon steel and stainless steel y-strainers, which will be furnished with standard **STEAM** screens.

- Add 10% to list price for non-standard perforation.
- Add 10% to list price for Type 316 Stainless Steel.
- Add 35% to list price for Monel Screens.

BASKET STRAINERS – REPLACEMENT SCREENS

ORDER BY ITEM NUMBER SHOWN ABOVE PRICE

REPLACEMENT BASKETS ONLY

For Styles D, BD, SD, SDV, SD-K, SSD, SSD-K Basket Strainers

Size	Perforated 304 SS 1/32", 3/64", 1/16", 1/8", 5/32"	Perforated Brass	Mesh Lined 304 Stainless Steel 20-30-40-50-60-80-100-150-200
1/2"	4125 \$63	4140 \$63	4155 \$86
3/4"	4126 \$63	4141 \$63	4156 \$86
1"	4127 \$63	4142 \$63	4157 \$86
1 1/4"	4128 \$91	4143 \$91	4158 \$137
1 1/2"	4129 \$91	4144 \$91	4159 \$137
2"	4130 \$112	4145 \$112	4160 \$170
2 1/2"	4131 \$136	4146 \$136	4161 \$205
3"	4132 \$153	4147 \$153	4162 \$253
4"	4134 \$229	4149 \$229	4164 \$323
5"	4135 \$296	4150 \$296	4165 \$413
6"	4136 \$361	4151 \$361	4166 \$543
8"	4137 \$590	4152 \$590	4167 \$838
10"	4138 \$735	4153 \$735	4168 \$1,121
12"	4139 \$1,143	4154 \$1,143	4169 \$1,782
14"			
16"			

For Styles GFV, HLC, SGFV, SGFV-K,
SSGFV, SSGFV-K Basket Strainers

Perforated 304 SS 1/32", 3/64", 1/16", 1/8", 5/32"	Mesh Lined 304 Stainless Steel 20-30-40-50-60-80-100-150-200
4101 \$68	4113 \$129
4102 \$91	4114 \$178
4103 \$127	4115 \$235
4527 \$160	4540 \$297
4106 \$214	4118 \$399
4107 \$257	4119 \$498
4108 \$436	4120 \$811
4109 \$592	4121 \$1,095
4110 \$890	4122 \$1,647
4111 \$1,227	4123 \$2,346
4112 \$1,560	4124 \$2,841

COVER GASKETS FOR Y & BASKET TYPE STRAINERS

STYLES	1/4"	3/8"	1/2"	3/4"	1"	1 1/4"	1 1/2"	2"	2 1/2"	3"	4"	5"	6"	8"	10"	12"	14"	Gasket Material
B, A, E-150, F-150	4.00	4.00	4.00	5.00	5.00	7.00	8.00	10.00	10.00	10.00	12.00	13.00	16.00	27.00	50.00	65.00	80.00	Non-Asbestos
E-300, F-300	8.00	8.00	8.00	9.00	10.00	11.00	12.00	13.00	17.00	18.00								Copper
D, BD, GFV								10.00	10.00	10.00	12.00	13.00	16.00	27.00	50.00	65.00	80.00	Non-Asbestos
SB-7, SSB-7 SA-7, SSA-7, BA-7 SD, SSD, SGFV SSGFV	10.00	10.00	10.00	12.00	15.00	16.00	18.00	20.00	25.00	27.00	40.00	41.00	44.00	53.00	100.00	120.00	140.00	SS Spiral Wound
HLC, GA, KF-7 BKF-7, SD-K SGFV-K	6.00	6.00	6.00	7.00	10.00	10.00	10.00	12.00	12.00	12.00	14.00	15.00	18.00	29.00	54.00	68.00	85.00	Buna-N
SSD-K, SSGFV-K	8.00	8.00	8.00	9.00	13.00	13.00	13.00	14.00	14.00	16.00	33.00	38.00	50.00	75.00	120.00	160.00	N/A	Viton

IMPORTANT: When ordering screens or gaskets, specify size and style strainer.

- Add 10% to list price for non-standard perforation.
- Add 10% to list price for Type 316 Stainless Steel.
- Add 35% to list price for Monel Screens.

BASKET STRAINERS – REPLACEMENT SCREENS

ORDER BY ITEM NUMBER SHOWN ABOVE PRICE

REPLACEMENT BASKETS ONLY

ALL DUPLEX STRAINER STYLES

Size	Perforated 304 SS 1/32", 3/64", 1/16", 1/8", 5/32"	Mesh Lined 304 SS 20-30-40-50-60-80-100-150-200	300 Mesh Lined 304 SS
3/4"	7002 \$108	7012 \$150	7022 \$212
1"	7002 \$108	7012 \$150	7022 \$212
1 1/4"	7004 \$134	7014 \$175	7024 \$260
1 1/2"	7004 \$134	7014 \$175	7024 \$260
2"	7005 \$162	7015 \$228	7025 \$354
2 1/2"	7005 \$162	7015 \$228	7025 \$354
3"	7007 \$242	7017 \$296	7027 \$456
4"	7008 \$269	7018 \$355	7028 \$575
*6"	7009 \$301	7019 \$422	7029 \$732
8"	7010 \$809	7020 \$1,130	7030 \$1,983

SEAL KITS

O-Ring Nitrile	O-Ring Viton
8002 \$87	8012 \$128
8002 \$87	8012 \$128
8004 \$87	8014 \$128
8004 \$87	8014 \$128
8005 \$109	8015 \$174
8005 \$109	8015 \$174
8007 \$109	8017 \$181
8008 \$109	8018 \$191
8009 \$156	8019 \$259
8010 \$250	8020 \$413

* 6" size standard with 4 basket screens

Seal Kit Includes: Chamber Cover O-Ring, Basket O-Ring, Valve Cover O-Ring, End Cover O-Ring, Spindle & Drive Shaft O-Ring, Plug Fiber Washer.

- Add 10% to list price for non-standard perforation.
- Add 10% to list price for Type 316 Stainless Steel.
- Add 35% to list price for Monel Screens.

DIFFERENTIAL PRESSURE INDICATORS

The Keckley Differential Pressure Indicator is designed to monitor basket conditions and provide visual warning when cleaning of the basket screen is required. Available as an option on all duplex strainers, the indicator is mounted to the strainer body with compression tube and fittings (included), and indicates the differential pressure across each basket.



Specifications

- Aluminum casing and Nitrile diaphragm for water and oil applications.
- Stainless steel casing, stainless steel internals and viton diaphragm for other liquids
- Standard with 0-10 psi range. Other ranges are available on request
- Pointer operated by internal magnet avoiding leakage through seals.

LIST PRICE DESCRIPTION

\$ 615	Set of two pieces (Standard)
\$ 981	Set of two pieces (Type 316 Stainless Steel)
\$ 1,116	Set of two pieces (Standard) with electrical switch .
\$ 1,533	Set of two pieces (Type 316 Stainless Steel) with electrical switch .

QUOTATION FORM

REPLACEMENT SCREENS

Keckley can fabricate strainer screens to match any manufacturer's strainer.
Fill out the information sheet below and fax it to us for your quotation.

Date: _____
From: _____

Attention: _____
Phone: _____
Fax: _____

To: **O.C. KECKLEY COMPANY**
3400 Cleveland Street
Skokie, IL 60076

Phone: 800-532-5539
Fax: 847-674-2106
E-mail: sales@keckley.com
Web Site: www.keckley.com

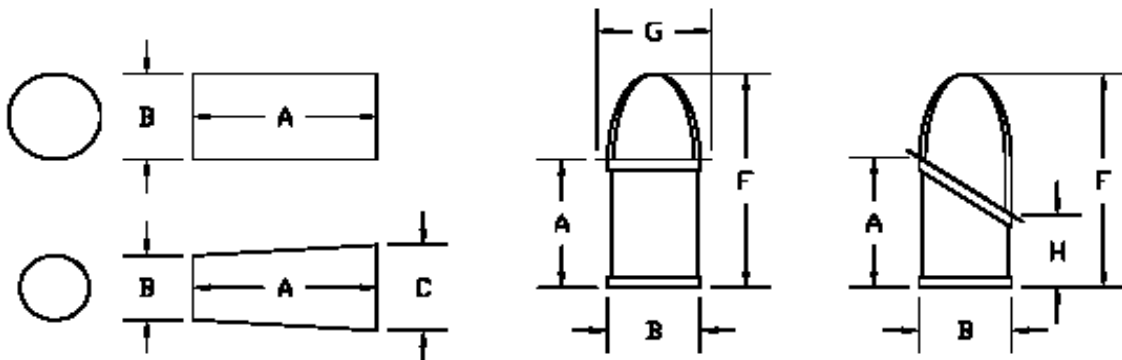
DESCRIPTION / REQUIREMENTS

Manufacturer: _____
Strainer Size: _____
Style: (Circle one)
WYE T-TYPE BASKET
FABRICATED OTHER

Manufacturer Unknown: _____
Model Number: _____
Screen Material: _____
Perforation Size: _____
Mesh Size: _____

ILLUSTRATIONS

(CIRCLE STYLE AND FILL-IN DIMENSIONS)



"A" _____ "B" _____ "C" _____ "F" _____ "G" _____ "H" _____
(RING SIZE)

----- Keckley's Reply -----

Date: _____ Your Cost \$ _____ Each Net Delivery: _____
Terms: Net 30 days , FOB Skokie, Illinois Quoted By: _____
O.C. Keckley Company

CHECK VALVES

WAFER DOUBLE DISC CHECK VALVE

“STANDARD” PRODUCT NUMBERS LISTED BELOW • DESIGNATED IN RED BOX

Style DD 125# ANSI Cast Iron Body Wafer Double Disc Check Valve

Working Pressure-Non-Shock; Sizes 2-12" W.O.G. – 200 PSI - 150°F; Sizes 14" and Larger W.O.G. – 150 PSI @ 150°F (ASTM A 126, Class B)

Product Number	Disc Material	Seat Material	2"	2½"	3"	4"	5"	6"	8"	10"	12"	14"	16"	18"	20"	24"
DD1F-CI-34136	304 SS	Buna-N	\$150	\$203	\$207	\$253	\$390	\$413	\$616	\$979	\$1,331	\$2,860	\$3,718	\$4,631	\$5,610	\$8,250
DD1F-CI-36436	316 SS	Viton	\$187	\$253	\$259	\$319	\$490	\$517	\$770	\$1,320	\$1,661	\$3,575	\$4,648	\$5,786	\$7,040	\$10,340
Shipping Weight			4#	6#	8#	14#	18#	26#	50#	70#	110#	175#	220#	275#	385#	598#

Style DD 150# ANSI Cast Carbon Steel Body Wafer Double Disc Check Valve

Working Pressure-Non-Shock; W.O.G. – 285 PSI @ 100°F (ASTM A 216, Grade WCB)

Product Number	Disc Material	Seat Material	2"	2½"	3"	4"	5"	6"	8"	10"	12"	14"	16"	18"	20"	24"
DD2R-CS-36136	316 SS	Buna-N	\$374	\$473	\$633	\$814	\$1,078	\$1,540	\$2,420	\$3,850	\$5,280	\$6,600	\$8,525	\$10,450	\$13,200	\$20,900
DD2R-CS-36236	316 SS	Metal	\$468	\$592	\$791	\$1,018	\$1,348	\$1,925	\$3,025	\$4,813	\$6,600	\$8,250	\$10,657	\$13,063	\$16,500	\$26,125
Shipping Weight			4#	6#	8#	14#	18#	26#	50#	70#	110#	175#	220#	275#	385#	598#

Style DD 300# ANSI Cast Carbon Steel Body Wafer Double Disc Check Valve

Working Pressure-Non-Shock; W.O.G. – 740 PSI - 100°F (ASTM A 216, Grade WCB)

Product Number	Disc Material	Seat Material	2"	2½"	3"	4"	5"	6"	8"	10"	12"	14"	16"	18"	20"	24"
DD4R-CS-36136	316 SS	Buna-N	\$693	\$825	\$858	\$1,100	\$2,035	\$2,145	\$3,025	\$4,510	\$5,940	\$7,370	\$9,570	\$11,550	\$15,400	\$24,200
DD4R-CS-36236	316 SS	Metal	\$867	\$1,032	\$1,073	\$1,375	\$2,545	\$2,682	\$3,850	\$5,720	\$7,425	\$9,240	\$11,963	\$14,438	\$19,250	\$30,250
Shipping Weight			8#	12#	18#	22#	35#	55#	77#	128#	200#	330#	374#	550#	704#	880#

Style DD 150# ANSI #316 Cast Stainless Steel Body Wafer Double Disc Check Valve

Working Pressure-Non-Shock; W.O.G. – 275 PSI - 100°F (ASTM A 351, Grade CF8M)

Product Number	Disc Material	Seat Material	2"	2½"	3"	4"	5"	6"	8"	10"	12"	14"	16"	18"	20"	24"
DD2R-36-36436	316 SS	Viton	\$715	\$869	\$1,100	\$1,540	\$2,090	\$2,860	\$4,180	\$6,600	\$9,350	\$13,420	\$14,850	\$24,200	\$29,700	\$44,000
DD2R-36-36236	316 SS	Metal	\$895	\$1,087	\$1,375	\$1,925	\$2,613	\$3,575	\$5,225	\$8,250	\$11,688	\$16,775	\$18,563	\$30,250	\$37,125	\$55,000
Shipping Weight			4#	6#	8#	14#	18#	26#	50#	70#	110#	175#	220#	275#	385#	598#

Style DD 300# ANSI #316 Cast Stainless Steel Body Wafer Double Disc Check Valve

Working Pressure-Non-Shock; W.O.G. – 720 PSI - 100°F (ASTM A 351, Grade CF8M)

Product Number	Disc Material	Seat Material	2"	2½"	3"	4"	5"	6"	8"	10"	12"	14"	16"	18"	20"	24"
DD4R-36-36436	316 SS	Viton	\$946	\$1,265	\$1,595	\$2,090	\$2,750	\$3,520	\$4,950	\$7,370	\$10,670	\$14,630	\$16,280	\$25,740	\$31,900	\$47,300
DD4R-36-36236	316 SS	Metal	\$1,183	\$1,582	\$1,980	\$2,640	\$3,438	\$4,180	\$6,188	\$9,213	\$13,338	\$18,288	\$20,350	\$32,175	\$39,875	\$59,125
Shipping Weight			8#	12#	18#	22#	35#	55#	77#	128#	200#	330#	374#	550#	704#	880#

Consult Factory for other sizes, materials, and pressures.

WAFER SILENT CHECK VALVE

“STANDARD” PRODUCT NUMBERS LISTED BELOW • DESIGNATED IN RED BOX

Style CW 125# / 250# ANSI Cast Iron Body Wafer Silent Check Valve

Working Pressure-Non-Shock; Class 125 lb. Sizes 2–12” W.O.G. – 200 PSI - 150°F

Working Pressure-Non-Shock; Class 250 lb. Sizes 2–6” W.O.G. – 500 PSI - 150°F

(ASTM A 126, Class B)

Product Number	Disc Material	Seat Material	2”	2½”	3”	4”	5”	6”	8”	10”	12”
CW1F-CI-34334	304 SS	304 SS	\$220	\$248	\$264	\$341	\$429	\$754	\$1,507	\$2,486	\$4,070
Shipping Weight			5#	8#	10#	18#	29#	42#	85#	160#	340#

Style CW 150# / 300# ANSI Cast Carbon Steel Body Wafer Silent Check Valve

Working Pressure-Non-Shock; Class 150 lb. Sizes 2–12” W.O.G. – 285 PSI - 100°F

Working Pressure-Non-Shock; Class 300 lb. Sizes 2–6” W.O.G. – 740 PSI - 100°F

(ASTM A 216, Grade WCB)

Product Number	Disc Material	Seat Material	2”	2½”	3”	4”	5”	6”	8”	10”	12”
CW2R-CS-36336	316 SS	316 SS	\$440	\$539	\$671	\$979	\$1,364	\$2,035	\$3,218	\$5,280	\$9,240
Shipping Weight			5#	8#	10#	18#	29#	42#	85#	160#	340#

Style CW 150# / 300# ANSI #316 Cast Stainless Steel Body Wafer Silent Check Valve

Working Pressure-Non-Shock; Class 150 lb. Sizes 2–12” W.O.G. – 275 PSI - 100°F

Working Pressure-Non-Shock; Class 300 lb. Sizes 2–6” W.O.G. – 720 PSI - 100°F

(ASTM A 351, Grade CF8M)

Product Number	Disc Material	Seat Material	2”	2½”	3”	4”	5”	6”	8”	10”	12”
CW2R-36-36336	316 SS	316 SS	\$583	\$682	\$858	\$1,320	\$1,859	\$2,640	\$4,840	\$8,580	\$16,170
Shipping Weight			5#	8#	10#	18#	29#	42#	85#	160#	340#

GLOBE SILENT CHECK VALVE

“STANDARD” PRODUCT NUMBERS LISTED BELOW • DESIGNATED IN RED BOX

Style CG 125# ANSI FLANGED Cast Iron Body Globe Silent Check Valve

Working Pressure-Non-Shock; Sizes 2-12” W.O.G. – 200 PSI - 150°F; 14” and Larger W.O.G. – 150 PSI @ 150°F

(ASTM A 126, Class B)

Product Number	Disc Material	Seat Material	2”	2½”	3”	4”	5”	6”	8”	10”	12”	14”	16”	18”	20”	24”
CG1F-CI-34334	304 SS	304 SS	\$451	\$517	\$649	\$990	\$1,430	\$1,540	\$2,420	\$3,850	\$6,050	\$8,580	\$11,330	\$14,692	\$17,600	\$24,200
CG1F-CI-36336	316 SS	316 SS	\$627	\$673	\$844	\$1,265	\$1,859	\$2,002	\$3,146	\$5,005	\$7,865	\$11,154	\$14,729	\$19,102	\$22,880	\$31,460
Shipping Weight			22#	25#	33#	58#	75#	96#	180#	270#	455#	600#	844#	900#	1145#	1550#

Style CG 250# ANSI FLANGED Cast Iron Body Globe Silent Check Valve

Working Pressure-Non-Shock; Sizes 2-12” W.O.G. – 500 PSI - 150°F; 14” and Larger W.O.G. – 300 PSI @ 150°F

(ASTM A 126, Class B)

Product Number	Disc Material	Seat Material	2”	2½”	3”	4”	5”	6”	8”	10”	12”
CG3F-CI-34334	304 SS	304 SS	\$495	\$583	\$715	\$1,100	\$1,595	\$1,716	\$2,750	\$4,290	\$6,600
CG3F-CI-36336	316 SS	316 SS	\$644	\$758	\$930	\$1,430	\$2,074	\$2,231	\$3,575	\$5,577	\$8,850
Shipping Weight			26#	30#	45#	75#	135#	146#	245#	370#	675#

- Add 25% to list price for soft seated valves (Buna-N, EPDM, Viton)
- Consult Factory for other sizes, materials, and pressures.

GLOBE SILENT CHECK VALVE

“STANDARD” PRODUCT NUMBERS LISTED BELOW • DESIGNATED IN RED BOX

Style CG 150# ANSI FLANGED Cast Carbon Steel Body Globe Silent Check Valve

Working Pressure-Non-Shock; W.O.G. – 285 PSI - 100°F

(ASTM A 216, Grade WCB)

Product Number	Disc Material	Seat Material	2"	2½"	3"	4"	5"	6"	8"	10"	12"	14"	16"	18"
CG2R-CS-36336	316 SS	316 SS	\$924	\$1,155	\$1,364	\$1,980	\$2,530	\$3,135	\$4,950	\$6,930	\$9,790	\$13,920	\$19,580	\$20,680
Shipping Weight			20#	26#	32#	52#	65#	84#	156#	250#	400#	580#	850#	1100#

Style CG 300# ANSI Cast Carbon Steel Body Globe Silent Check Valve

Working Pressure-Non-Shock; W.O.G. – 740 PSI - 100°F

(ASTM A 216, Grade WCB)

Product Number	Disc Material	Seat Material	2"	2½"	3"	4"	5"	6"	8"	10"	12"	14"	16"	18"
CG4R-CS-36336	316 SS	316 SS	\$1,294	\$1,617	\$1,910	\$2,772	\$3,542	\$4,389	\$6,930	\$9,702	\$13,706	\$19,488	\$27,412	\$28,952
Shipping Weight			20#	26#	32#	52#	65#	84#	156#	250#	400#	580#	850#	1100#

Style CG 150# ANSI FLANGED #316 Cast Stainless Steel Body Globe Silent Check Valve

Working Pressure-Non-Shock; W.O.G. – 275 PSI - 100°F

(ASTM A 351, Grade CF8M)

Product Number	Disc Material	Seat Material	2"	2½"	3"	4"	5"	6"	8"	10"	12"
CG2R-36-36336	316 SS	316 SS	\$1,430	\$1,760	\$2,090	\$3,190	\$4,070	\$4,840	\$8,030	\$11,550	\$17,930
Shipping Weight			20#	26#	32#	52#	65#	84#	156#	250#	400#

Style CG 300# ANSI #316 Cast Stainless Steel Body Globe Silent Check Valve

Working Pressure-Non-Shock; W.O.G. – 720 PSI - 100°F

(ASTM A 351, Grade CF8M)

Product Number	Disc Material	Seat Material	2"	2½"	3"	4"	5"	6"	8"	10"	12"
CG4R-36-36336	316 SS	316 SS	\$2,002	\$2,464	\$2,926	\$4,466	\$5,698	\$6,776	\$11,242	\$16,170	\$25,102
Shipping Weight			20#	26#	32#	52#	65#	84#	156#	250#	400#

- Add 25% to list price for soft seated valves (Buna-N, EPDM, Viton)
- Consult Factory for other sizes, materials, and pressures.

SUCTION DIFFUSER

SUCTION DIFFUSER – IRON BODY

ORDER BY ITEM NUMBER SHOWN ABOVE PRICE

Style PSD 125# ANSI STANDARD FLANGED Cast Iron Body Suction Diffuser

Working Pressure-Non-Shock; Sizes 2-12" W.O.G. – 200 PSI - 150°F; 14" and Larger W.O.G. – 150 PSI @ 150°F

(ASTM A 126, Class B)

STANDARD SCREENS	2" X 1 1/2"	2" x 2"	2 1/2" x 2"	2 1/2" x 2 1/2"	3" X 2"	3" x 2 1/2"	3" x 3"	4" x 3"	4" x 4"	5" x 4"	5" x 5"
3/16" Perf. SS Screen	5200	5201	5202	5203	5204	5205	5206	5207	5208	5209	5210
w/ 20 Mesh Lining	\$275	\$281	\$325	\$407	\$424	\$440	\$462	\$594	\$682	\$770	\$781
Shipping Weight	24#	24#	27#	37#	42#	46#	51#	74#	76#	106#	111#

STANDARD SCREENS	6" x 4"	6" x 5"	6" x 6"	8" X 5"	8" x 6"	8" x 8"	10" x 8"	10" x 10"	12" X 8"	12" x 10"	12" x 12"
3/16" Perf. SS Screen	5211	5212	5213	5214	5215	5216	5217	5218	5219	5220	5221
w/ 20 Mesh Lining	\$880	\$946	\$1,067	\$1,155	\$1,254	\$2,123	\$2,508	\$3,003	\$3,300	\$3,520	\$3,768
Shipping Weight	93#	128#	149#	178#	178#	267#	353#	388#	412#	492#	529#

STANDARD SCREENS	14" x 10"	14" x 12"	14" x 14"	16" x 12"	16" x 14"	16" x 16"	18" x 18"	20" x 20"	Larger Sizes
3/16" Perf. SS Screen	5222	5223	5224	5225	5226	5227	5228	5229	Available. Price on Application
w/ 20 Mesh Lining	\$4,600	\$4,780	\$4,930	\$6,400	\$6,600	\$8,200	\$10,200	\$20,800	
Shipping Weight									

TRIPLE DUTY VALVE

TRIPLE DUTY VALVE – IRON BODY

ORDER BY ITEM NUMBER SHOWN ABOVE PRICE

Style TDV 125# ANSI STANDARD FLANGED Cast Iron Body Triple Duty Valve

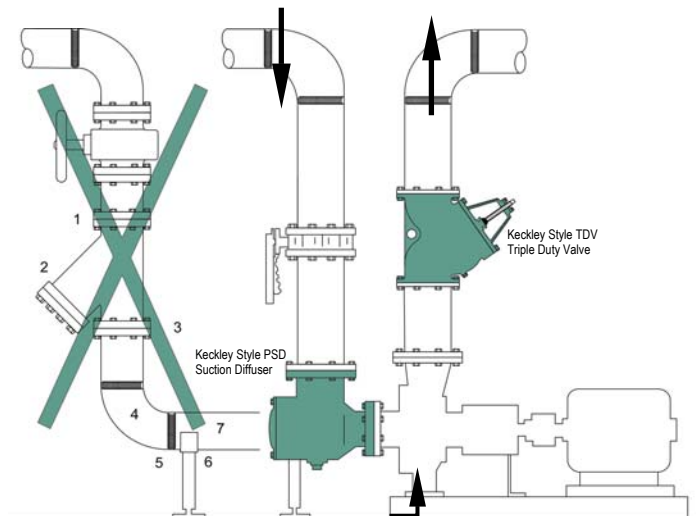
Working Pressure-Non-Shock; Sizes 2-12" W.O.G. – 200 PSI - 150°F; 14" and Larger W.O.G. – 150 PSI @ 150°F

(ASTM A 126, Class B)

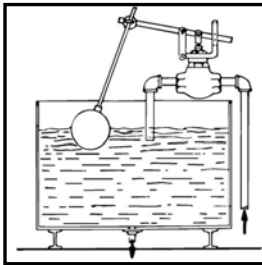
	2"	2 1/2"	3"	4"	5"	6"	8"	10"	12"	14"	16"	18"	20"	Larger Sizes
Price	5300	5301	5302	5303	5304	5305	5306	5307	5308	5309	5310	5311	5312	Available. Price on Application.
	\$468	\$539	\$616	\$1,238	\$1,419	\$1,876	\$2,673	\$4,433	\$6,787	\$12,700	\$18,900	\$32,000	\$35,100	
Shipping Weight	28#	33#	57#	98#	157#	196#	348#	475#	656#	787#				

The Keckley Style PSD
Suction Diffuser *Eliminates*:

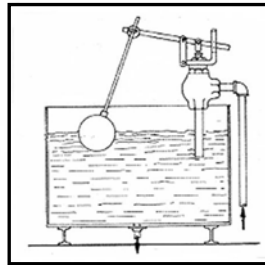
1. Gaskets & Bolting
2. Conventional Strainer
3. Two Flanges
4. Reducing Elbow
5. Extra Welding
6. Pipe Saddle
7. Long Entrance Pipe



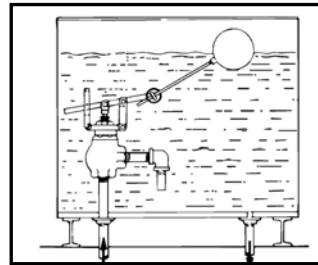
FLOAT AND LEVER VALVES



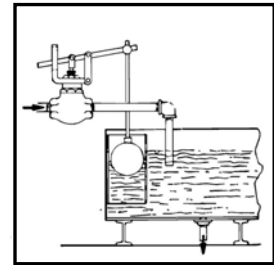
Filling Control



Filling Control



Submerged Filling Control



Guided Filling Control

FLOAT VALVES - Double Seat (Not Tight Closing)

	Page #	Body	Connection	Trim	1/4" 3/8"	1/2"	3/4"	1"	1 1/4"	1 1/2"	2"	2 1/2"	3"	4"	5"	6"	8"	10"	12"
NO. 27 FLOAT VALVE Angle (Side Inlet) or Globe – Double Seated Non Tight Closing INLET PRESSURES Size Maximum p.s.i. 1/2" – 3/4" 150 1" 150 1 1/4" 120 1 1/2" 100 2" 75 2 1/2" 60 3" 50 4" 35 5" 30 6" 25 8" 20 10" 15 12" 12	4-5	Bronze	Threaded	Bronze	\$	412	412	460	496	586	1481	1944	2574						
	4-5	Cast Iron	Threaded	Bronze							745	879	1116						
	4-5	Cast Iron	Threaded	Stainless Steel							964	1141	1542						
	4-5	Cast Iron	125# Std. Flg.	Bronze							792	916	1176	1727	2108	2913	4475	7509	10137
	4-5	Cast Iron	125# Std. Flg.	Stainless Steel							1031	1227	1598	2229	2940	3776	5761	9180	11714
	4-5	Cast Iron	250# Ex. Hy. Flg.	Bronze							966	1067	1400	1999	2457	3264	4693	8558	11263
	4-5	Cast Iron	250# Ex. Hy. Flg.	Stainless Steel							1174	1337	1753	2417	3156	4029	6462	10016	12615
	4-5	Cast Iron	Threaded	Cast Iron		745	745	911	1075	1194									
	4-5	Stainless Steel	Threaded	Stainless Steel		1324	1324	1836	2013	2356	4117								
	4-5	Stainless Steel	150# ASA Flg.	Stainless Steel							4546	5159	6896						
	4-5	Stainless Steel	300# ASA Flg.	Stainless Steel							5069	5617	7466						
	4-5	Bronze	150# ASA Flg.	Bronze							2008	2541	3347						
	4-5	Bronze	300# ASA Flg.	Bronze							2249	2793	3576						

FLOAT VALVES - Single Seat (Tight Closing)

	Page #	Body	Connection	Trim	1/4" 3/8"	1/2"	3/4"	1"	1 1/4"	1 1/2"	2"	2 1/2"	3"	4"	5"	6"	8"	10"	12"
NO. 7 FLOAT VALVE Angle (Side Inlet) or Globe – Single Seat Tight Shutoff INLET PRESSURES Size Maximum p.s.i. 1/2" – 3/4" 130 1" 100 1 1/4" 80 1 1/2" 65 2" 50	7-8	Bronze	Threaded	Bronze	\$	480	480	515	575	630	1605								
	7-8	Cast Iron	Threaded	Bronze							787								
	7-8	Cast Iron	Threaded	Cast Iron		1401	1401	1549	1665	1776									
	7-8	Cast Iron	125# Std. Flg.	Bronze							856								
	7-8	Cast Iron	250# Ex. Hy. Flg.	Bronze							1020								
	7-8	Stainless Steel	Threaded	Stainless Steel		1606	1606	2104	2323	2631	4384								
NO. 77 FLOAT VALVE Angle (bottom inlet) or Globe – Single Seat Tight Shutoff Maximum inlet pressure 250 p.s.i. Absolute minimum inlet pressure is 5 p.s.i. on 2" to 6", 10 p.s.i. on 8" & 10"	7-8	Cast Iron	Threaded	Bronze							948	1067	1364						
	7-8	Cast Iron	125# Std. Flg.	Bronze							1008	1144	1430	2061	3043	3435	7375	8669	*globe only
	7-8	Cast Iron	250# Ex. Hy. Flg.	Bronze							1186	1305	1653	2365	3641	3760	7999	9883	*globe only
	7-8	Bronze	Threaded	Bronze							1967	2208	3293						

FLOAT VALVES - Single Seat (Tight Closing)

	Page #	Body	Connection	Trim	1/4" 3/8"	1/2"	3/4"	1"	1 1/2"	1 1/2"	2"	2 1/2"	3"	4"	5"	6"	8"	10"	12"
NO. 777 FLOAT VALVE Angle or Globe – Pilot controlled Diaphragm type Single Seat Tight Closing Maximum Inlet Pressure 150 p.s.i.	10	Bronze	Threaded	Bronze	\$	759	759	855	895	1111									
	10	Cast Iron	Threaded	Bronze							1150	1459	1987						
	10	Cast Iron	125# Std. Flg.	Bronze								1217	1533	2039	2738				
	10	Cast Iron	250# Ex. Hy. Flg.	Bronze								1414	1742	2319	3082				
ANGLE PATTERN HAS BOTTOM INLET except 1/2" and 3/4"																			

	Page #	Body	Connection	Trim	1/4" 3/8"	1/2"	3/4"	1"	1 1/2"	1 1/2"	2"	2 1/2"	3"	4"	5"	6"	8"	10"	12"
NO. 427 FLOAT VALVE Angle (bottom inlet) or Globe – Ball Inner Valve Tight Closing INLET PRESSURES Size Maximum p.s.i. 1/2" 150 3/4" 60 1" – 1 1/4" 40 1 1/2" 30 2" 15	11	Bronze	Threaded	Stainless Steel	\$	611	694	769	845	904									
	11	Cast Iron	Threaded	Stainless Steel							1011								
	11	Cast Iron	125# Std. Flg.	Stainless Steel								1051							
	Same Valve as No. 427 Except Supplied With Teflon Plug Same Pricing as No. 427																		

NO. 428 FLOAT VALVE Angle (bottom inlet) or Globe – Teflon Plug type	Same Valve as No. 427 Except Supplied With Teflon Plug Same Pricing as No. 427																		
--	---	--	--	--	--	--	--	--	--	--	--	--	--	--	--	--	--	--	--

	Page #	Body	Connection	Trim	1/4" 3/8"	1/2"	3/4"	1"	1 1/2"	1 1/2"	2"	2 1/2"	3"	4"	5"	6"	8"	10"	12"
NO. 177 TANK FLOAT VALVE Angle (bottom inlet) or Globe – Tight Closing Includes #112 Pilot Valve	14	Cast Iron	Threaded	Bronze	\$						1923	1923	2357						
	14	Cast Iron	125# Std. Flg.	Bronze							1978	2093	2420	2958	3677	4065	7309		
	14	Cast Iron	250# Ex. Hy. Flg.	Bronze								2142	2305	2673	3233	3944	4233	7329	
NO. 112 PILOT VALVE	14	Bronze	Threaded	Stainless Steel	490														

Float Valve Parts - Repair Kits Available For All Valves

FLOATS & FLOAT RODS

Standard Floats Supplied With Valves*							Standard Float Rods Supplied With Valves**						
Valve Size	*Std. Float			Std. Conn.			Valve Size	Std. Rod					
Thru 2"	7" 304 S.S.			5/16 - 18			Thru 2"	16" Brass					
2 1/2" - 4"	8" 304 S.S.			3/8 - 16			2 1/2" - 4"	18" Brass					
5" - 8"	10" 304 S.S.			1/2" NPT			5" - 8"	24" Galvanized Pipe					
10" - 12"	12" 304 S.S.			1/2" NPT			10" - 12"	30" Galvanized Pipe					
*When ordering float other than standard with valve, add difference in price between standard float and special float to the list price of the valve.							**When ordering longer length standard material float rods, add \$ 30.00 per extra foot or fraction thereof.						
FLOATS	4"	5"	6"	7"	8"	10"	Special Float Rods - Stainless Steel						
Type 304 Stainless Steel	150	128	118	118	174	434	18" S.S. - \$ 125						
Type 316 Stainless Steel				427	544	817	24" S.S. - 128						
Plastic		61	73	73	136	167	30" S.S. - 128						
Special Connections	Add 35%						36" S.S. - 143						
Special Floats	Prices on Application												

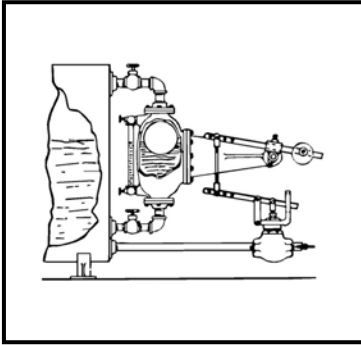
LEVER VALVES - Double Seat (Not Tight Closing)

	Page #	Body	Connection	Trim	1/4" 3/8"	1/2"	3/4"	1"	1 1/2"	1 1/2"	2"	2 1/2"	3"	4"	5"	6"	8"	10"	12"	
NO. 62 LEVER VALVE Same description as No. 27	6	Bronze	Threaded	Bronze	\$	337	337	349	410	485	1505									
	6	Cast Iron	Threaded	Bronze							665	770	932							
	6	Cast Iron	Threaded	Stainless Steel							879	924	1272							
	6	Cast Iron	125# Std. Flg.	Bronze							674	787	964	1504	1905	2690	4250	5769	8418	
	6	Cast Iron	125# Std. Flg.	Stainless Steel							962	1008	1382	2023	2724	3550	5186	8115	10815	
	6	Cast Iron	250# Ex. Hy. Flg.	Bronze							882	962	1206	1979	2208	3078	4851	7403	9910	
	6	Cast Iron	250# Ex. Hy. Flg.	Stainless Steel							1124	1186	1619	2339	3072	3963	6446	9231	11719	
	6	Cast Iron	Threaded	Cast Iron		656	656	707	735	898										
	6	Stainless Steel	Threaded	Stainless Steel		1231	1231	1448	1636	2045	3845									
	6	Stainless Steel	150# ASA Flg.	Stainless Steel							4385	4690	5960	ON APPLICATION						
	6	Stainless Steel	300# ASA Flg.	Stainless Steel							4796	5231	6970	ON APPLICATION						
	6	Bronze	150# ASA Flg.	Bronze							1778	2005	2869	ON APPLICATION						
	6	Bronze	300# ASA Flg.	Bronze							2005	2294	3153	ON APPLICATION						

LEVER VALVES - Single Seat (Tight Closing)

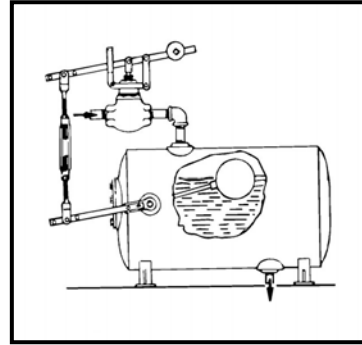
	Page #	Body	Connection	Trim	1/4" 3/8"	1/2"	3/4"	1"	1 1/2"	1 1/2"	2"	2 1/2"	3"	4"	5"	6"	8"	10"	12"	
NO. 73 LEVER VALVE Same description as No. 7	9	Bronze	Threaded	Bronze	\$	391	391	410	469	549	1514									
	9	Cast Iron	Threaded	Bronze							671									
	9	Cast Iron	125# Std. Flg.	Bronze							731									
	9	Cast Iron	250# Ex. Hy. Flg.	Bronze							973									
	9	Cast Iron	Threaded	Cast Iron Comp. Disc.		1353	1353	1412	1547	1637										
	9	Stainless Steel	Threaded	Stainless Steel		1553	1553	1721	1909	2310	4117									
NO. 773 LEVER VALVE Same description as No. 77	9	Cast Iron	Threaded	Bronze							823	882	1175							
	9	Cast Iron	125# Std. Flg.	Bronze							882	928	1226	1757	2836	3220	7257	8629	* globe only	
	9	Cast Iron	250# Ex. Hy. Flg.	Bronze							1122	1140	1465	2006	3162	3670	7780	9658	* globe only	
	9	Bronze	Threaded	Bronze							1776	2015	3218							
NO. 762 LEVER VALVE Same description as No. 777	10	Bronze	Threaded	Bronze		644	644	734	802	1017										
	10	Cast Iron	Threaded	Bronze							1036	1295	1769	ANGLE PATTERN HAS BOTTOM INLET except 1/2" and 3/4"						
	10	Cast Iron	125# Std. Flg.	Bronze							1086	1352	1837							2398
	10	Cast Iron	250# Ex. Hy. Flg.	Bronze							1312	1477	2161							2717
10	Cast Iron	Threaded	Bronze																	
NO. 462 LEVER VALVE Same description as No. 427	11	Bronze	Threaded	Stainless Steel		493	579	662	739	812										
	11	Cast Iron	Threaded	Stainless Steel							893									
	11	Cast Iron	125# Std. Flg.	Stainless Steel							924									
	11	Cast Iron	Threaded	Stainless Steel																
NO. 463 LEVER VALVE Same description as No. 428	11	Bronze	Threaded	Stainless Steel		493	579	662	739	812										
	11	Cast Iron	Threaded	Stainless Steel							893									
	11	Cast Iron	125# Std. Flg.	Stainless Steel							924									

FLOAT BOX



Filling Control

FLOAT MECHANISM



Filling Control

		FOR USE WITH LEVER VALVE SIZES		1/2"	3/4"	1"	1 1/4"	1 1/2"	2"	2 1/2"	3"	4"	5"	6"	8"	10"	12"
NO. 20 FLOAT BOX For use with #62, 73, 773	12	Cast Iron	1" Threaded 6" Float - 304 S.S.	1373	1373	1373	1373										
	12	Cast Iron	1-1/2" Threaded/Std. Fig. 8" Float - 304 S.S.					2077	2077	2077	2077	2077	2077	2077			
NO. 20M FLOAT MECHANISM	13	Bronze	3/4" Threaded 6" Float - 304 S.S.	494	494	494	494	494									
	13	Bronze	1-1/4" Threaded 8" Float - 304 S.S.						796	796	796	796	796	796			
NO. 21 FLOAT BOX with MERCURY TUBE SWITCH SNAP SWITCH EXPLOSION PROOF SWITCH	12	Cast Iron	1" Threaded 6" Float - 304 S.S.	1605	COMPLETE WITH SWITCH-NO VALVE REQUIRED												
	12	Cast Iron	1-1/2" Threaded/Std. Fig. 8" Float - 304 S.S.	2486	COMPLETE WITH SWITCH-NO VALVE REQUIRED												
	12	Cast Iron	1" Threaded 6" Float - 304 S.S.	1492	COMPLETE WITH SWITCH-NO VALVE REQUIRED												
	12	Cast Iron	1-1/2" Threaded/Std. Fig. 8" Float - 304 S.S.	2427	COMPLETE WITH SWITCH-NO VALVE REQUIRED												
	12	Cast Iron	1" Threaded 6" Float - 304 S.S.	3247	COMPLETE WITH SWITCH-NO VALVE REQUIRED												
	12	Cast Iron	1-1/2" Threaded/Std. Fig. 8" Float - 304 S.S.	3746	COMPLETE WITH SWITCH-NO VALVE REQUIRED												
				1/2"	3/4"	1"	1 1/4"	1 1/2"	2"	2 1/2"	3"	4"	5"	6"	8"	10"	12"

CONTROL VALVES

PRESSURE REGULATORS - Internal Pilot

	Page #	Body	Connection	Trim	1/4" 3/8"	1/2"	3/4"	1"	1 1/4"	1 1/2"	2"	2 1/2"	3"	4"	5"	6"	8"	10"	12"
TYPES AA & AR	5-6-7	Bronze	300# Threaded	Stainless Steel	\$	996	996	996	1160	1433	1832								
	5-6-7	Bronze	150# or 300# ASA Flg.	Stainless Steel		1205	1205	1205	1384	1636	2119	3698	4694	7550	10257	12061			
TYPES IA & IR Types AA & IA for reduced pressure above 40 p.s.i. Types AR & IR for reduced pressure below 40 p.s.i.	8	Cast Iron	250# Threaded	Stainless Steel		766	766	766	888	992	1338								
	8	Cast Iron	125# Std. Flg.	Stainless Steel		ON APPLICATION					1450	2255	2731	4054	7219	8085			
	8	Cast Iron	250# Ex. Hy. Flg.	Stainless Steel		ON APPLICATION					1542	2390	2881	4287	7577	8602			
	8	Cast Steel		Stainless Steel		ON APPLICATION													
WHEN ABOVE IS USED ON AIR SERVICE ADD PRICE FOR NYLON TRIM																			
AA-AR-IA-IR-Extra for: Nylon Trim-Air Service Stellited Seat Ring Stainless Steel Cylinder Liner	7-8	List Adder for Nylon Trim-Air Service			\$	206	206	206	260	335	401	472	550	762	1001	1113			
	7-8	List Adder for Stellited Seat Ring				297	297	297	351	368	521	607	773	905	1070	1199			
	7-8	List Adder for Stnl. Stl. Cylinder Liner				134	134	134	159	209	247	306	368	605	905	1136			

PRESSURE REGULATORS - External Pilot

	Page #	Body	Connection	Trim	1/4" 3/8"	1/2"	3/4"	1"	1 1/4"	1 1/2"	2"	2 1/2"	3"	4"	5"	6"	8"	10"	12"
TYPE KP Steam service External pilot type Single seat Tight closing Pilot valve Spring ranges 5-60 p.s.i. 20-175 p.s.i.	23-4-5	Cast Iron	Threaded	Stainless Steel	\$	1121	1168	1231	1481	1655	2018								
	23-4-5	Cast Iron	125# Std. Flg.	Stainless Steel							2191	2963	3194	4743		9485			
	23-4-5	Cast Iron	250# Ex. Hy. Flg.	Stainless Steel							2336	3236	3497	5176		9873			
			Pilot Vale only \$ 540 Hardware Kit only \$ 116																

PRESSURE REGULATORS

	Page #	Body	Connection	Trim	1/4" 3/8"	1/2"	3/4"	1"	1 1/4"	1 1/2"	2"	2 1/2"	3"	4"	5"	6"	8"	10"	12"
NO. 700 Water, Air service Single seat Tight closing spring ranges 8-30 p.s.i. 28-50 p.s.i. 45-75 p.s.i. 70-100 p.s.i.	20	Bronze*	Threaded	Bronze	\$	661	661	738	794	903	2395								
	20	Cast Iron	Threaded	Bronze							1149	1828	2277						
	20	Cast Iron	125# Std. Flg.	Bronze							1213	1938	2394	3571					
	20	Cast Iron	250# Ex. Hy. Flg.	Bronze							1254	2055	2620	3854					
	20	Bronze*	150# or 300# ASA Flg.	Bronze							2562	4257	5453	8014	* w/ Iron Spring Case				
NO. 701 Water service External pilot type Tight closing Spring ranges - See 700	21	Cast Iron	Threaded	Bronze							1993	2165	2393						
	21	Cast Iron	125# Std. Flg.	Bronze							2050	2222	2499	3190	3749	3945	7383	9644	globe only
	21	Cast Iron	250# Ex. Hy. Flg.	Bronze							2277	2493	2778	3523	3977	4261	7706	9973	globe only
NO. 11-A Steam, Air, Liquid service Single seat Composition disc tight closing	33	Cast Iron	Threaded	Bronze	509	509	626	656	748	792	922								
	33	Cast Iron	Threaded	Stainless Steel	561	561	697	789	867	959	1113								
NO. 10 Air, Water service low capacity	32	Bronze	Composition Disc Threaded	Bronze		465	465	515						For sizes larger than 1"; see #700 Pressure Regulator					
TYPE D Steam, Air service low capacity	34	Bronze	Threaded	Stainless Steel	474	474	474	474											
					1/4" 3/8"	1/2"	3/4"	1"	1 1/4"	1 1/2"	2"	2 1/2"	3"	4"	5"	6"	8"	10"	12"

PRESSURE REDUCING VALVES - Spring Loaded

	Page #	Body	Connection	Trim	1/4" 3/8"	1/2"	3/4"	1"	1 1/2"	1 1/2"	2"	2 1/2"	3"	4"	5"	6"	8"	10"	12"
NO. 400 Steam, Air or Liquid service single seated Tight closing Diaphragm, spring type	28	Bronze	Threaded	Stainless Steel	655	655	819	877	948	1004									
	28	Cast Iron	Threaded	Stainless Steel							1133	1521							
	28	Cast Iron	125# Std. Flg.	Stainless Steel							1196	1611							
	28	Cast Iron	250# Ex. Hy. Flg.	Stainless Steel							1362	1797							

PRESSURE REDUCING VALVES - Weight Loaded

	Page #	Body	Connection	Trim	1/4" 3/8"	1/2"	3/4"	1"	1 1/2"	1 1/2"	2"	2 1/2"	3"	4"	5"	6"	8"	10"	12"
NO. 410 Steam, Air or Liquid service Weight & Lever Diaphragm-ball type Tight closing	30	Bronze	Threaded	Stainless Steel	726	726	907	983	1075	1223									
	30	Cast Iron	Threaded	Stainless Steel							1276	1550							
	30	Cast Iron	125# Std. Flg.	Stainless Steel							1378	1652							
NO. 411 Steam, Air or Liquid service Weight & Lever Diaphragm-ball type Tight closing	30	Bronze	Threaded	Stainless Steel	799	799	1000	1080	1182	1345									
	30	Cast Iron	Threaded	Stainless Steel							1403	1702							
	30	Cast Iron	125# Std. Flg.	Stainless Steel							1515	1919							

PRESSURE REDUCING VALVES - Air Loaded

	Page #	Body	Connection	Trim	1/4" 3/8"	1/2"	3/4"	1"	1 1/2"	1 1/2"	2"	2 1/2"	3"	4"	5"	6"	8"	10"	12"
NO. 430 Steam, Air or Liquid service Air loaded-Diaphragm-ball type Tight closing	31	Bronze	Threaded	Stainless Steel	1052	1052	1157	1409	1621	1722									
	31	Cast Iron	Threaded	Stainless Steel							1700	1868							
	31	Cast Iron	125# Std. Flg.	Stainless Steel							1965	2195							
NO. 431 Steam, Air or Liquid service Air loaded-Diaphragm-ball type Tight closing	31	Bronze	Threaded	Stainless Steel	726	726	907	983	1075	1223									
	31	Cast Iron	Threaded	Stainless Steel							1276	1550							
	31	Cast Iron	125# Std. Flg.	Stainless Steel							1378	1652							
NO. 432 Steam, Air or Liquid service Air loaded-Diaphragm-ball type Tight closing	31	Bronze	Threaded	Stainless Steel	1052	1052	1157	1409	1621	1722									
	31	Cast Iron	Threaded	Stainless Steel							1700	1868							
	31	Cast Iron	125# Std. Flg.	Stainless Steel							1965	2195							

PRESSURE REDUCING VALVES - Low Capacity

	Page #	Body	Connection	Trim	1/4" 3/8"	1/2"	3/4"	1"	1 1/2"	1 1/2"	2"	2 1/2"	3"	4"	5"	6"	8"	10"	12"	
Series 'A' "A" for Air, low capacity Std. Range 5-125 Adj.	35	Alloy	Threaded	Bronze	327						ADD \$ 69.00 Gauge						High Pressure Adj. Range 125 - 250 Add 15%			
	35	Alloy	Threaded	Bronze		348	440	440			ADD \$ 69.00 Gauge									
Series 'W' "W" for Water, low capacity Std. Range 5-125 Adj.	35	Alloy	Threaded	Bronze	348						ADD \$ 69.00 Gauge						High Pressure Adj. Range 125 - 250 Add 15%			
	35	Bronze	Threaded	Bronze		383	755	755			ADD \$ 69.00 Gauge									

HYDRAULIC PRESSURE REGULATORS

	Page #	Body	Connection	Trim	1/4" 3/8"	1/2"	3/4"	1"	1 1/2"	1 1/2"	2"	2 1/2"	3"	4"	5"	6"	8"	10"	12"
TYPE H	11	Bronze	Threaded	Stainless Steel	\$	1167	1167	1167											

DIAPHRAGM CONTROL VALVES

	Page #	Body	Connection	Trim	1/4" 3/8"	1/2"	3/4"	1"	1 1/4"	1 1/2"	2"	2 1/2"	3"	4"	5"	6"	8"	10"	12"	
NO. 114-double seat adjusting spring 116-double seat weight lever type 118-single seat weight lever type 119-single seat adjusting spring Above valves are direct acting (spring or weight holds valve open, pressure to diaphragm to close).	26-27	Bronze	Threaded	Bronze	\$	754	754	801	926	948										
	26-27	Bronze	Threaded	Stainless Steel		1122	1159	1229	1311	1364										
	26-27	Cast Iron	Threaded	Bronze							1029	1193	1428							
	26-27	Cast Iron	Threaded	Stainless Steel							1305	1550	1884							
	26-27	Cast Iron	125# Std. Flg.	Bronze							1132	1291	1493	1956	2411	2748	4503	6294	10185	
	26-27	Cast Iron	125# Std. Flg.	Stainless Steel							1392	1767	1956	2479	3311	3729	5885	7796		
	26-27	Cast Iron	250# Ex. Hy. Flg.	Bronze							1335	1487	1666	2188	2588	3008	4911	6895		
	26-27	Cast Iron	250# Ex. Hy. Flg.	Stainless Steel							1546	1859	2048	2731	3492	3904	6027	8985		
	PRICES SAME FOR ALL VALVE NOS.																			
	NO. 114-R 116-R 118-R 119-R Reverse acting valves add "R" to number (spring or weight holds valve closed, pressure to diaphragm to open).	26-27	Bronze	Threaded	Bronze	\$	826	826	895	1009	1047									
26-27		Bronze	Threaded	Stainless Steel		1230	1272	1371	1445	1504										
26-27		Cast Iron	Threaded	Bronze							1116	1312	1567							
26-27		Cast Iron	Threaded	Stainless Steel							1438	1696	1811							
26-27		Cast Iron	125# Std. Flg.	Bronze							1245	1423	1644	2151	2653	3022	4955	6922	11205	
26-27		Cast Iron	125# Std. Flg.	Stainless Steel							1528	1942	2151	2717	3640	4099	6467	8574		
26-27		Cast Iron	250# Ex. Hy. Flg.	Bronze							1466	1631	1828	2409	2844	3304	5405	7584		
26-27		Cast Iron	250# Ex. Hy. Flg.	Stainless Steel							1699	2045	2254	3001	3841	4297	6629	9882		
Piston operators replaces diaphragm operator when reduced or set pressure exceeds 60 p.s.i.						671	671	671	671	671	671	671	671	1215	1215	1215	1635	1635		

MOTOR OPERATED BALANCED VALVES

	Page #	Body	Connection	Trim	1/4" 3/8"	1/2"	3/4"	1"	1 1/4"	1 1/2"	2"	2 1/2"	3"	4"	5"	6"	8"	10"	12"
NO. 1300 Two Position Double Seat	22	Bronze	Threaded	Bronze	\$	2174	2174	2343	2501	2763									
	22	Cast Iron	Threaded	Bronze							2833								
	22	Cast Iron	125# Std. Flg.	Bronze							2918	3023	3198	3727	4147	4868			
NO. 1300 Modulating Double Seat	22	Bronze	Threaded	Bronze		2677	2677	2744	2943	3071									
	22	Cast Iron	Threaded	Bronze							3073								
	22	Cast Iron	125# Std. Flg.	Bronze							3159	3363	3495	4058	4524	5354			

SOLENOID VALVES

	Page #	Body	Connection	Trim	1/4" 3/8"	1/2"	3/4"	1"	1 1/4"	1 1/2"	2"	2 1/2"	3"	4"	5"	6"	8"	10"	12"
TYPE E	18	Bronze	Threaded Normally Closed	Stainless Steel	\$	Available: Pilot piston operated, semi-direct lift, direct lift. Price on application.													
	18	Bronze	Threaded Normally Open	Stainless Steel															
TYPE EA Steam, Gas, Liquid service Pilot operated Tight closing	19	Bronze	Threaded Normally Closed	Stainless Steel		1110	1110	1110	1299	1621	2015								
	19	Cast Iron	Threaded Normally Closed	Stainless Steel		896	896	896	1118	1289	1791								
	19	Bronze	150# or 300# ASA Flg. Normally Closed	Stainless Steel		1268	1268	1268	1608	1692	2262	3863							On Appl.
	19	Cast Iron	250# Ex. Hy. Flg. Normally Closed	Stainless Steel							1961	2571							On Appl.

TEMPERATURE REGULATORS

	Page #	Body	Connection	Trim	1/4" 3/8"	1/2"	3/4"	1"	1 1/4"	1 1/2"	2"	2 1/2"	3"	4"	5"	6"	8"	10"	12"	
TYPE T - direct acting (closes on temp. rise) TYPE TR reverse acting (opens on temp. rise) Same Prices as Type T TYPE TT (see accessories for add-on for thermometer)	12-13	Bronze	Threaded Conn. ONLY	Stn. Steel Single Seat	\$	1582	1614	1831	1889	1972										
	12-13	Bronze	Threaded or Union Conn. **	Comp. Disc. Single Seat		1727	1788	1930	220	2434	DIRECT ACTING ONLY									
	12-13	Bronze	Threaded or Union Conn. **	Bronze Dbl. Seat			1638	1704	1766	1951	2562	2" SIZE ONLY IRON BODY								
	12-13	Bronze	Threaded or Union Conn. **	Stn. Steel Dbl. Seat				2001	2098	2333	3026	2" SIZE ONLY IRON BODY								
	12-13	Cast Iron	125# Std. Flg.	Bronze Dbl. Seat							2620	2695	2821	3102						** UNION ENDS PLUS 35%
	12-13	Cast Iron	125# Std. Flg.	Stn. Steel Dbl. Seat							3006	3117	3568	4102						
TYPE AT Pilot operated Single seat-Direct acting only (closes on temp. rise)	14	Bronze	Threaded	Stainless Steel		2028	2028	2028	2248	2519	3086									
	14	Cast Iron	Threaded	Stainless Steel		1711	1711	1711	1869	1947	2493									
	14	Cast Iron	125# Std. Flg.	Stainless Steel								3416	4045	6070		8310				
	14	Cast Iron	250# Ex. Hy. Flg.	Stainless Steel								3600	4228	6358		9007				

PRESSURE AND TEMPERATURE REGULATORS

	Page #	Body	Connection	Trim	1/4" 3/8"	1/2"	3/4"	1"	1 1/4"	1 1/2"	2"	2 1/2"	3"	4"	5"	6"	8"	10"	12"
TYPE PTT Incl. PT Regulator and 1/2" Thermostatic Regulator	15	Bronze	Threaded	Stainless Steel	\$	2264	2264	2264	2419	3036	3392								
	15	Cast Iron	Threaded	Stainless Steel		1973	1973	1973	2095	2433	2730								
	15	Cast Iron	125# Std. Flg.	Stainless Steel								3799	4461	6566					
	15	Cast Iron	250# Ex. Hy. Flg.	Stainless Steel								3982	4747	6936					
TYPE PTS Incl. PT Regulator and 1/4" solenoid Valve less switch For Switch - Consult Factory	16	Bronze	Threaded	Stainless Steel		1704	1704	1704	1878	2190	2606								
	16	Cast Iron	Threaded	Stainless Steel		1423	1423	1423	1556	1674	2055								
	16	Bronze	150# or 300# ASA Flg.	Stainless Steel		1938	1938	1938	2138	2414	3082	4333	5770						
	16	Cast Iron	125# Std. Flg.	Stainless Steel		ON APPLICATION					2180	3056	3572						
	16	Cast Iron	250# Ex. Hy. Flg.	Stainless Steel		ON APPLICATION					2276	3209	3780						

TEMPERATURE REGULATOR ACCESSORIES

TYPE T TYPE TR TYPE TT TYPE AT TYPE PTT TYPE PTS TYPE PT Reducing Valve	Thermal Assembly (Replacements) 1 x 9 copper bulb, 8 ft. copper tubing \$997 1 x 20 copper bulb, 8 ft. copper tubing 997 1 x 9 type 347 S.S. bulb, 8 ft. type 347 S.S. tubing 1,751 1 x 20 type 347 S.S. bulb, 8 ft. type 347 S.S. tubing 1,751	Thermometer-Indicating (TYPE T-T) \$459 Fin Kits type A bulb Copper 1 x 9 \$329 1 x 20 369
	Tubing Lengths, Special To order special tubing lengths, add the following to regulator price or standard thermal assembly above. 15 ft. copper 339 30 ft. copper 461 15 ft. type 347 S.S. 557 30 ft. type 347 S.S. 951	Separable Sockets (Wells) Chrome Plated Copper 1" x 9" \$231 1" x 20" \$299 1 1/4" x 24" \$426 316 Stainless Steel 519 564 N/A 347 Stainless Steel N/A N/A 965
As used on Type PTT and Type PTS - ADD 10% to Type AR and Type IR prices shown on Page #28.		

BACK PRESSURE VALVES

	Page #	Body	Connection	Trim	1/4" 3/8"	1/2"	3/4"	1"	1 1/4"	1 1/2"	2"	2 1/2"	3"	4"	5"	6"	8"	10"	12"	
NO. 135 Steam, Air, Liquid service, Globe or Angle pattern Cup disc type Spring loaded Settings above 5 p.s.i.	36-37	Bronze	Threaded	Bronze	\$	861	861	929	1038	1222										
	36-37	Cast Iron	Threaded	Bronze							1523	1952	2491							
	36-37	Cast Iron	125# Std. Flg.	Bronze								1573	2027	2537	2895	ON APPLICATION				
	36-37	Cast Iron	250# Ex. Hy. Flg.	Bronze								1705	2166	2684	3024	ON APPLICATION				
	36-37	Cast Iron	Threaded	Stainless Steel								3005	3904	4966	ON APPLICATION					
	36-37	Cast Iron	125# Std. Flg.	Stainless Steel								3120	4047	5086	5762	ON APPLICATION				
	36-37	Cast Iron	250# Ex. Hy. Flg.	Stainless Steel								3306	4230	5269	5960	ON APPLICATION				
NO. 145 Steam, Air, Liquid service, Globe or Angle pattern Cup disc type Weight lever operated Settings 0-15 p.s.i.	36-37	Bronze	Threaded	Bronze	\$	861	861	929	1038	1222										
	36-37	Cast Iron	Threaded	Bronze							1523	1952	2491							
	36-37	Cast Iron	125# Std. Flg.	Bronze								1573	2027	2537	2895	ON APPLICATION				
	36-37	Cast Iron	250# Ex. Hy. Flg.	Bronze								1705	2166	2684	3024	ON APPLICATION				
	36-37	Cast Iron	Threaded	Stainless Steel								3005	3904	4966	ON APPLICATION					
	36-37	Cast Iron	125# Std. Flg.	Stainless Steel								3120	4047	5086	5762	ON APPLICATION				
	36-37	Cast Iron	250# Ex. Hy. Flg.	Stainless Steel								3306	4230	5269	5960	ON APPLICATION				
NO. 405 Steam, Liquid service Single seat-Diaphragm spring type Tight closing	29	Bronze	Threaded	Stainless Steel	\$	708	886	946	1025	1087										
	29	Cast Iron	Threaded	Stainless Steel							1226	1643								
	29	Cast Iron	125# Std. Flg.	Stainless Steel								1294	1735							
	29	Cast Iron	250# Ex. Hy. Flg.	Stainless Steel								1472	1940							
NO. 315 Steam service Double seat Globe pattern only Range 2-20 p.s.i.	42	Cast Iron	Threaded	Bronze							809	923	1036							
	42	Cast Iron	125# Std. Flg.	Bronze							856	1010	1080	1573	2262	2635	4281	5020	6413	
					1/4" 3/8"	1/2"	3/4"	1"	1 1/4"	1 1/2"	2"	2 1/2"	3"	4"	5"	6"	8"	10"	12"	

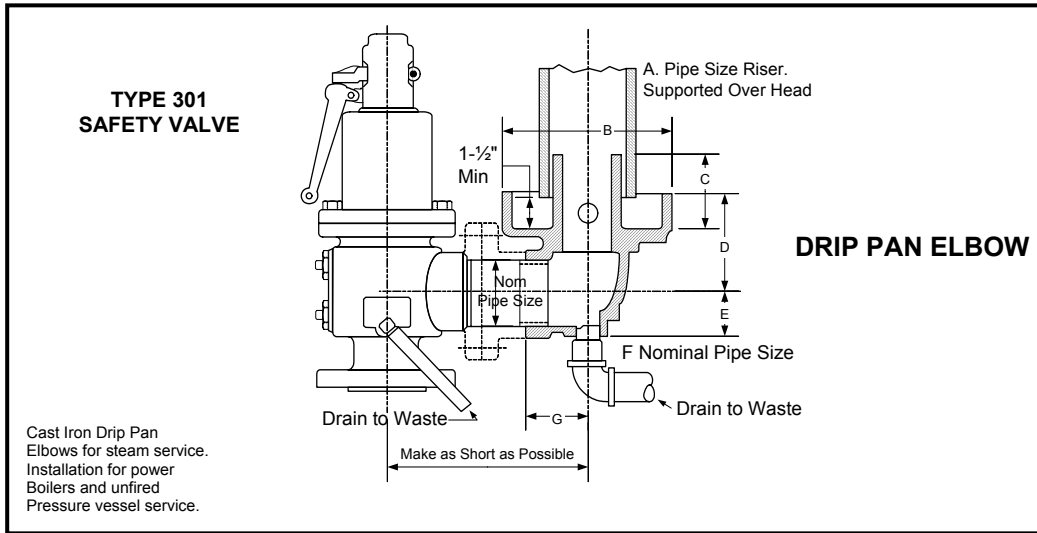
SAFETY VALVES - A.S.M.E. STANDARD

	Page #	Body	Connection	Trim	1/4" 3/8"	1/2"	3/4"	1"	1 1/2"	1 1/2"	2"	2 1/2"	3"	4"	5"	6"	8"	10"	12"
#40 STEAM & AIR	38-39	Bronze	Threaded Side Outlet	Bronze	\$	275	311	350	449	533	739	986							
#40-S STEAM & AIR	38-39	Bronze	Threaded Side Outlet	Stainless Steel	ON APPLICATION														
#41 STEAM & AIR	38-39	Bronze	Threaded Top Outlet	Bronze		262	290	332	424	506	700								
#41-S STEAM & AIR	38-39	Bronze	Threaded Top Outlet	Stainless Steel	ON APPLICATION														

	Page #	Body	SIZE INLET	ORIFICE	OUTLET	S.S. TRIM	SIZE INLET	ORIFICE	OUTLET	S.S. TRIM
#301 Enclosed Spring Stainless St. Trim	40-41	Cast Iron	1 1/2"	J	2 1/2"	\$1,746	3	L	4	\$2,924
			2"	J	2 1/2"	1,962	4	L	4	3,142
			2 1/2"	J	2 1/2"	2,016	3	M	4	3,397
			2"	K	3	1,980	4	M	4	3,704
			2 1/2"	K	3	2,213	4	N	6	5,772
			3"	K	3	2,260	4	P	6	7,049
			2 1/2"	L	4	2,603	6	Q	8	10,608
						6	R	8	13,796	

NOTE: FOR PRESSURE SETTINGS BELOW 10 P.S.I. ADD 10% TO ABOVE PRICES FOR ALL SIZES

Other Safety Valves Available - Consult Factory



DRIP PAN ELBOWS

	Page #	Body	Connection	Trim	1/4" 3/8"	1/2"	3/4"	1"	1 1/2"	1 1/2"	2"	2 1/2"	3"	4"	5"	6"	8"	10"	12"
DRIP PAN ELBOWS 10" - Fabricated Steel	43	Cast Iron	1-4 pcs		\$		61	61	75	75	80	95	122	200		461	885	1790	
	43	Cast Iron	5-50 pcs				48	48	59	59	63	72	96	154		385	727	1564	
	43	Cast Iron	51 or more				43	43	53	53	56	65	87	141		353	665	1430	
Shipping Weight							2#	2#	5#	5#	7#	11#	19#	27#		80#	150#	205#	

RELIEF VALVES - NON CODED

	Page #	Body	Connection	Trim	1/4" 3/8"	1/2"	3/4"	1"	1 1/2"	1 1/2"	2"	2 1/2"	3"	4"	5"	6"	8"	10"	12"
#42 FOR LIQUIDS	38	Bronze	Threaded Side Outlet	Bronze	\$	290	296	332	404	473	581	1131	1776						Pressure Cap
#43 FOR LIQUIDS	38	Bronze	Threaded Side Outlet	Bronze		295	303	356	424	503	690	1185	1909						Handwheel
#44 FOR LIQUIDS	38	Bronze	Threaded Side Outlet	Bronze		448	464	578	711	745	880	1425	2090						Lift Lever

TERMS AND CONDITIONS OF SALE

PRICE QUOTATION

Written quotations are firm for a period of 30 days unless Seller indicates on the quotation a longer period. All orders placed by the Buyer from a published price list, written quotation or verbal quotation are subject to acceptance by the O.C. Keckley Company. All delivery dates are subject to prior sale.

PAYMENT

Unless otherwise noted on Seller's Invoice to Buyer's Purchase Order, payment shall be net cash 30 days after shipment from Seller to approved credit purchasers. Seller reserves the right to demand terms of payment different from those specified herein whenever it reasonably appears that the Buyer's financial condition requires such change, and may demand assurance of Buyer's ability to pay whenever it reasonably appears that such ability is in doubt. Seller may suspend production, shipment or delivery until it receives payment of all amounts, whether or not due, owing to Seller or until adequate arrangements for payments are made.

PACKAGING

Unless Buyer specifies in writing material will be packed as Seller deems necessary for proper protection. Export shipments will be subject to an additional charge for special overseas shipping. Additional charges may also be imposed if packaging instructions/specifications are other than standard.

SHIPMENT

Routing and manner of shipment will be at Seller's discretion and may be insured at Buyer's expense, value to be stated at order price. The Seller does not accept standing general or blanket shipping instructions. Full shipping instructions must accompany each individual order. No claim for shortages will be allowed unless made in writing with (10) days of receipt of shipment. Claims for material damaged or lost in transit should be made to the carrier, as Seller's responsibility ceases on delivery to the carrier.

DELIVERY

Delivery and shipment dates are estimated dates only, and unless otherwise specified, schedules commence with the date the Seller receives authorization to proceed with the order and order is accepted into production. In estimating such dates, no allowance has been made for delays of carriers or delays from labor difficulties, shortages, strikes or stoppages of any sort, fires, accidents, failure or delay in obtaining materials or manufacturing facilities, acts of government affecting Seller directly or indirectly, bad weather, or any cause beyond our control or causes designated Acts of God

or forces majeure by any court of law, and the estimated delivery date shall be extended accordingly. Shipping schedules and statements as to the expected date of shipment by Seller represent Seller's best estimate and shipment in accordance with such estimate is not guaranteed.

Seller is not liable for any freight costs because of late delivery.

WARRANTY

Seller warrants all parts and assemblies are warranted to be free from defects in materials and workmanship for a period of one year from date of shipment from the Seller's plant. The Seller reserves the right to examine all parts or assemblies claimed to be defective to determine whether they are defective in material or workmanship. All parts or assemblies which are determined to be defective in either material or workmanship may, upon express authority of the Seller, be returned to the Seller's plant prepaid and will be repaired or replaced or credit allowed at the Seller's option. In no event shall the Seller be liable for consequential costs or damages. This warranty is expressly in lieu of all other warranties, expressed or implied and whether of merchantability or fitness.

This warranty does not apply to parts or assemblies which have been subject to misuse, negligence or accident. Also, it does not apply if repairs, modifications or reconditioning work is undertaken without prior written approval of the Seller. The customer is required to examine all parts and assemblies immediately upon receipt of shipment and promptly notify the Seller of any defects or alleged defects of the parts and assemblies.

RETURNS

Returns must not be made without our written consent. Goods must in all cases be carefully handled, properly packed and shipped prepaid. Goods authorized for return are subject to a restocking charge. Restocking charges will be based upon our inspection which may include any charges for retesting, reconditioning or repainting as required. Seller reserves the right to refuse credit for unwanted fabricated items. Goods returned for repair will be subject to our evaluation and charges will be based upon replacement of parts and labor.

NOTE

We reserve the right to correct obvious clerical errors in quotations, invoice and other contracts.

TERMS

Net 30 days.

MINIMUM CHARGE

\$35.00 (Net)

FREIGHT

All shipments are F.O.B. Skokie, IL.

O.C. KECKLEY COMPANY
3400 CLEVELAND STREET
P.O. BOX 67
SKOKIE, ILLINOIS 60076

PHONE 847-674-8422
800-KECKLEY (800-532-5539)
FAX 847-674-2106
E-MAIL: SALES@KECKLEY.COM
WEB SITE: WWW.KECKLEY.COM

September 1, 2009

To our customers:

KECKLEY PRICE LIST 08

Revision A.09 – Dated September 01, 2009

The following changes have been made to our current PRICE LIST 08 posted on our web site, WWW.KECKLEY.COM under “Literature.” These changes have been added to assist you in selecting and pricing the correct product for your application.

Strainer Section:

- The **standard** screen for each strainer style has been added to the description in the PRICE LIST for steam and liquid service.
- The adder for non-standard screens and / or screen material has been added at the bottom of each page.
- Basket strainers are now available with knob covers.

Style KF-7	150 lb. flange – cast ductile iron	P/L page 7
Style BKF-7	150 lb. flange – cast nickel aluminum bronze	P/L page 12
Style SD-K	150 lb threaded – cast carbon steel	P/L page 13
Style SGFV-K	150 lb. flange – cast carbon steel	P/L page 13
Style SSD-K	150 lb threaded – cast 316 stainless steel	P/L page 14
Style SSGFV-K	150 lb. flange – cast 316 stainless steel	P/L page 14
- There has been a price reduction on all Duplex Strainers, sizes $\frac{3}{4}$ " – 4"; sizes 6" – 8" prices have been increased.
- Have adjusted the part pricing on replacement screens and gaskets.

On all the rest of our products there have been **NO CHANGES**.

As always, we *thank you* for your business. If you have any questions, please call us at 800-KECKLEY (532-5539).

O. C. KECKLEY COMPANY